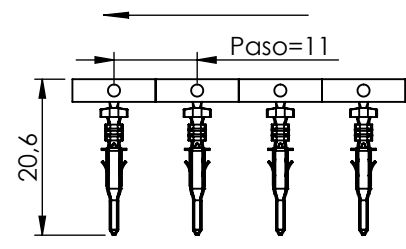
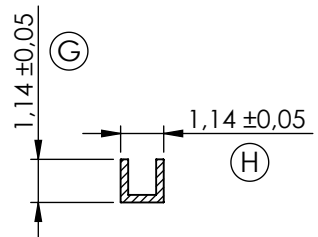
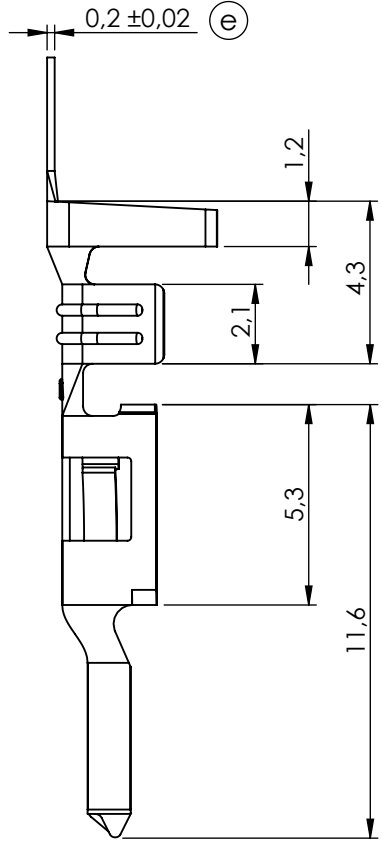
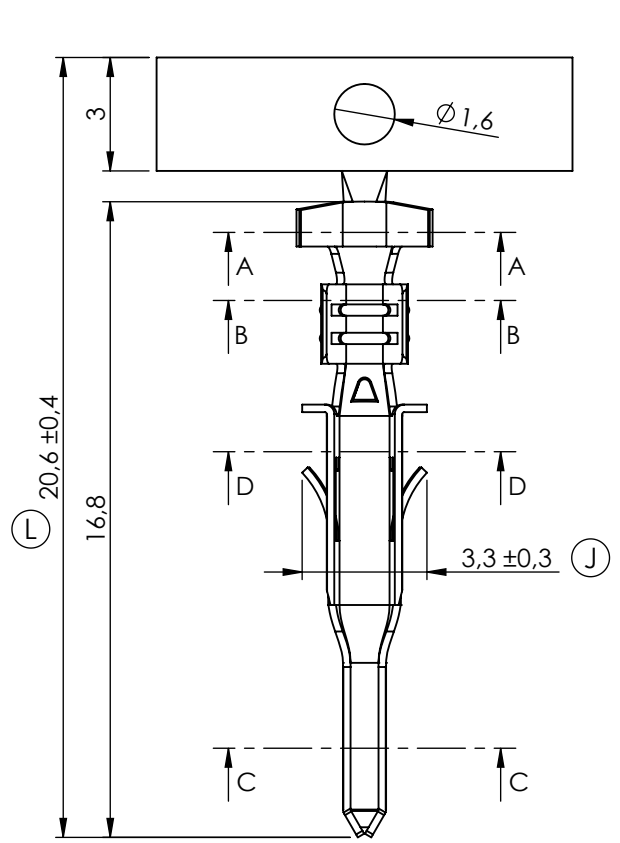


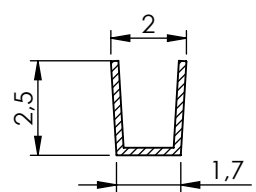
UNROLLING DIRECTION



Scale: 1/1



SECTION C-C



SECTION D-D

04	O.Roura	Update section D	22.09.22
03	O.Roura	Addition of chamfers and modification of dimension J	19.11.21
02	O.Roura	Mod.Secc.D	11.08.21
01	-	Tol.cotasK,M	17.01.13
00	-	1ª Edición	23.02.12
Rev.	Name	Modification	Date

7547.31	Pre-Sn	CuSn6	1±1.3mm ² max 16 AWG	2.75mm max.
7547.01	Pre-Sn	CuZn30		
Part Num.	Finish	Material	Wire Size	ØInsulation

DRAWN	M.Jou	27.05.10
REVISED	F.Adamuz	27.05.10
SCALE	5:1	

MALE TERMINAL UP-FIT		
MATERIAL STANDARD	DIMENSIONAL STANDARD	GENERAL TOLERANCES
EN1654	Special	±0.2±2°

FORMAT	A4v
DRAWING	PT7547_r04
REF. 7547.xx	