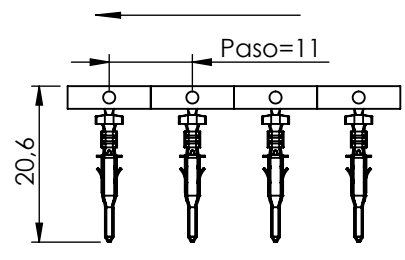
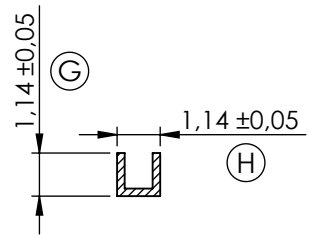
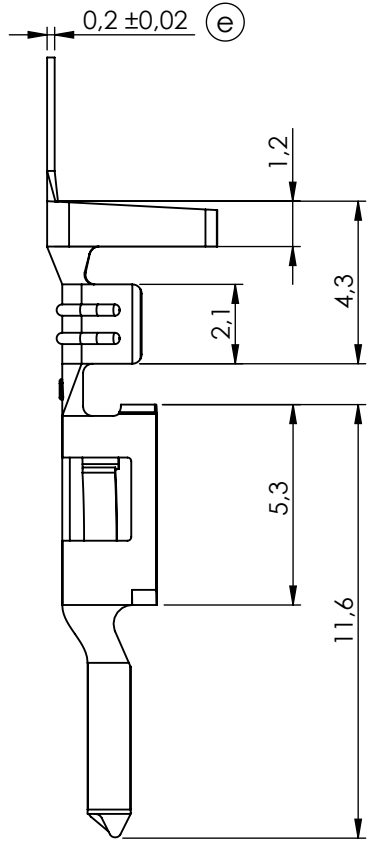
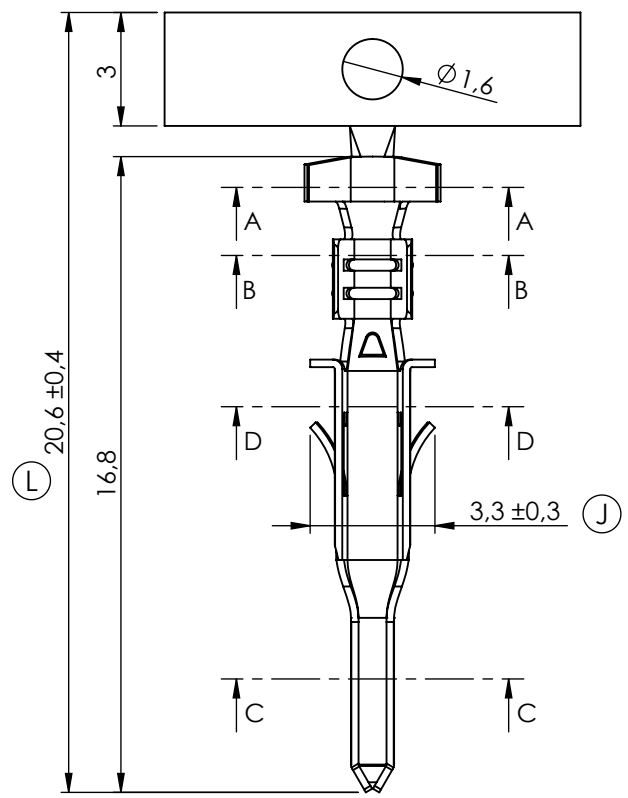


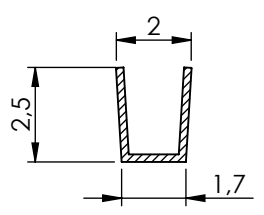
UNROLLING DIRECTION



Scale: 1/1



SECTION C-C



SECTION D-D

04	O.Roura	Update section D	22.09.22
03	O.Roura	Addition of chamfers and modification of dimension J	19.11.21
02	O.Roura	Mod.Secc.D	11.08.21
01	—	Tol.cotasK,M	17.01.13
00	—	1ª Edición	23.02.12

7546.31	Pre-Sn	CuSn6	0,2±0,8mm ² 18-24AWG	1±2,75mm
7546.01	Pre-Sn	CuZn30		
Part Num.	Finish	Material	Wire Size	ØInsulation

DRAWN	M.Jou	27.05.10
REVISED	F.Adamuz	27.05.10
SCALE	5:1	

MALE TERMINAL UP-FIT		
MATERIAL STANDARD	DIMENSIONAL STANDARD	GENERAL TOLERANCES
EN1654	Special	±0.2±2°

FORMAT	A4v
DRAWING	PT7546_r04
REF. 7546.xx	