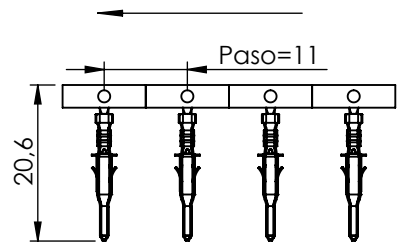
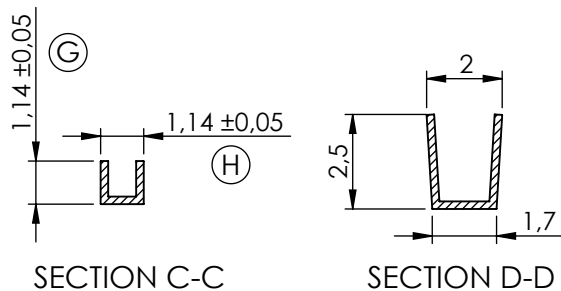
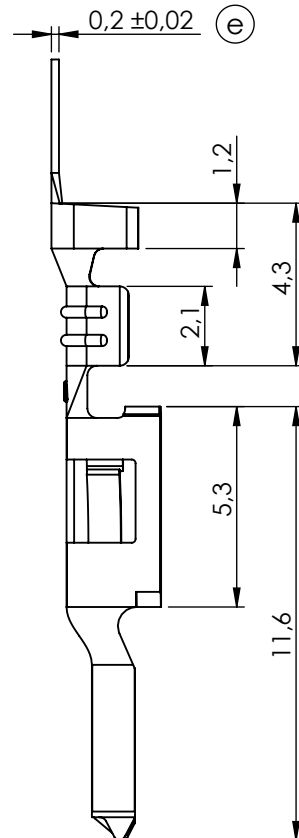
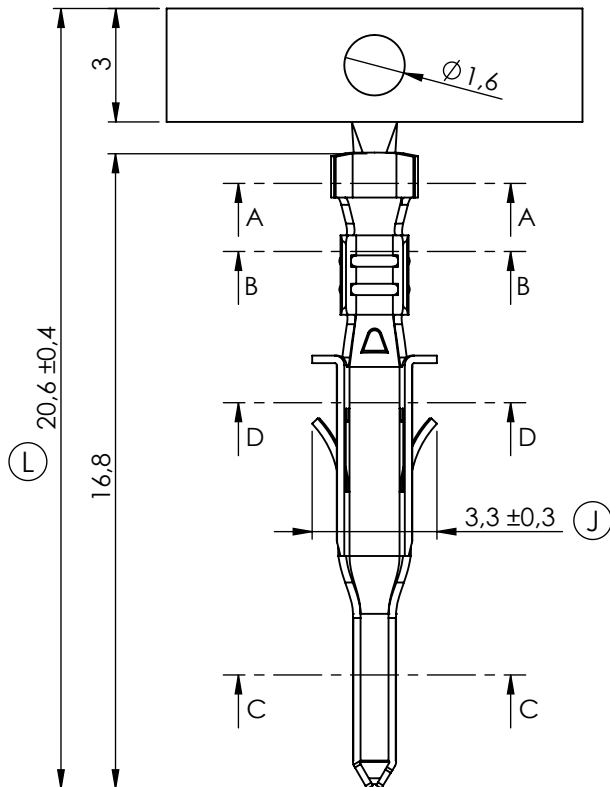


UNROLLING DIRECTION



Scale: 1/1



04	O.Roura	Update section D	22.09.22
03	O.Roura	Addition of chamfers and modification of dimension J	19.11.21
02	O.Roura	Mod.Secc.D	11.08.21
01	—	Tol.cotasK,M	17.01.13
00	—	1ª Edición	23.02.12
Rev.	Name	Modification	Date

7545.31	Pre-Sn	CuSn6	0,08±0,32mm ² 22-28AWG	1±1,8mm
7545.01	Pre-Sn	CuZn30		
Part Num.	Finish	Material	Wire Size	ØInsulation

			MALE TERMINAL UP-FIT				
DRAWN	M.Jou	27.05.10	MATERIAL STANDARD EN1654	DIMENSIONAL STANDARD Special	GENERAL TOLERANCES ±0.2±2°	FORMAT	A4v
REVISED	F.Adamuz	27.05.10				DRAWING	PT7545_r04
SCALE	5:1				REF. 7545.xx		