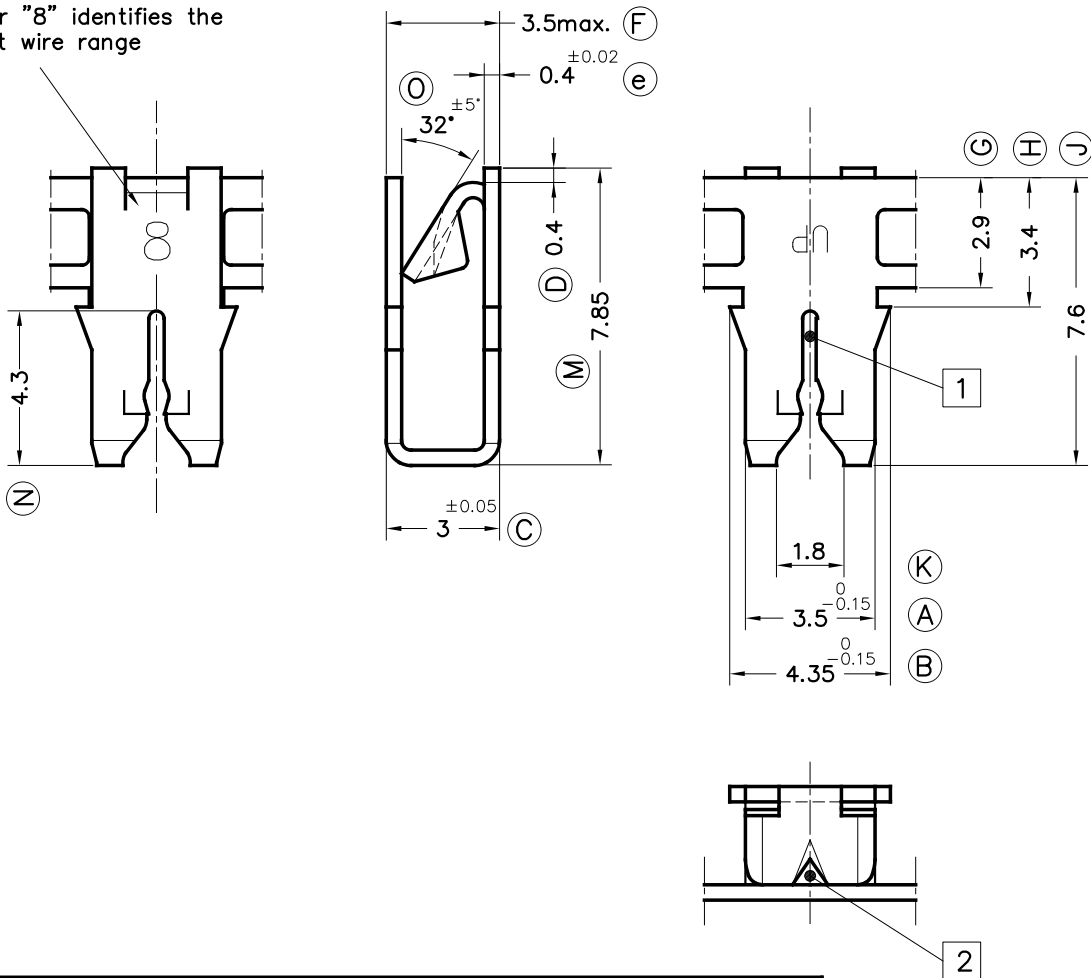


Number "8" identifies the magnet wire range



Notes:

1 Copper wires: Slot allows insertion of single magnet wire.
Aluminium wires: Slot may accept single aluminium magnet wires. Consult Escubedo for the wire range.

2 Allows connection of UP-MATE tabs, as well as rigid or multi-stranded wires

03	Inf. updated	02/08/18
02	Updated&Al.wire	13/03/17
01	Dimens.Rev.	01/07/09
00	1st. Edition	11/02/09
Rev.	Description	Date

6908.02	Tinplated	CuZn30*	045-0.65 mm	0.5-0.9 mm ²				
References	Finish	Material	∅Copper Magnet wire 1	Cable Sq.section 2	A	B	C	D

<p>ESPECIALITATS ELÈCTRIQUES ESCUBEDO S.A.</p>			<p>FEMALE UP-MATE</p>					
DWN	JCS	11/02/09					SIZE	A4v
CHK	FAT	11/02/09	MATERIAL STANDARDS	DIMENSIONAL STANDARDS	GENERAL TOLERANCES		DRW NAME	PT6908 "c"
SCALE	5/1		EN 1654*	Specials	±0.2 ±2°		REF.	6908.xx