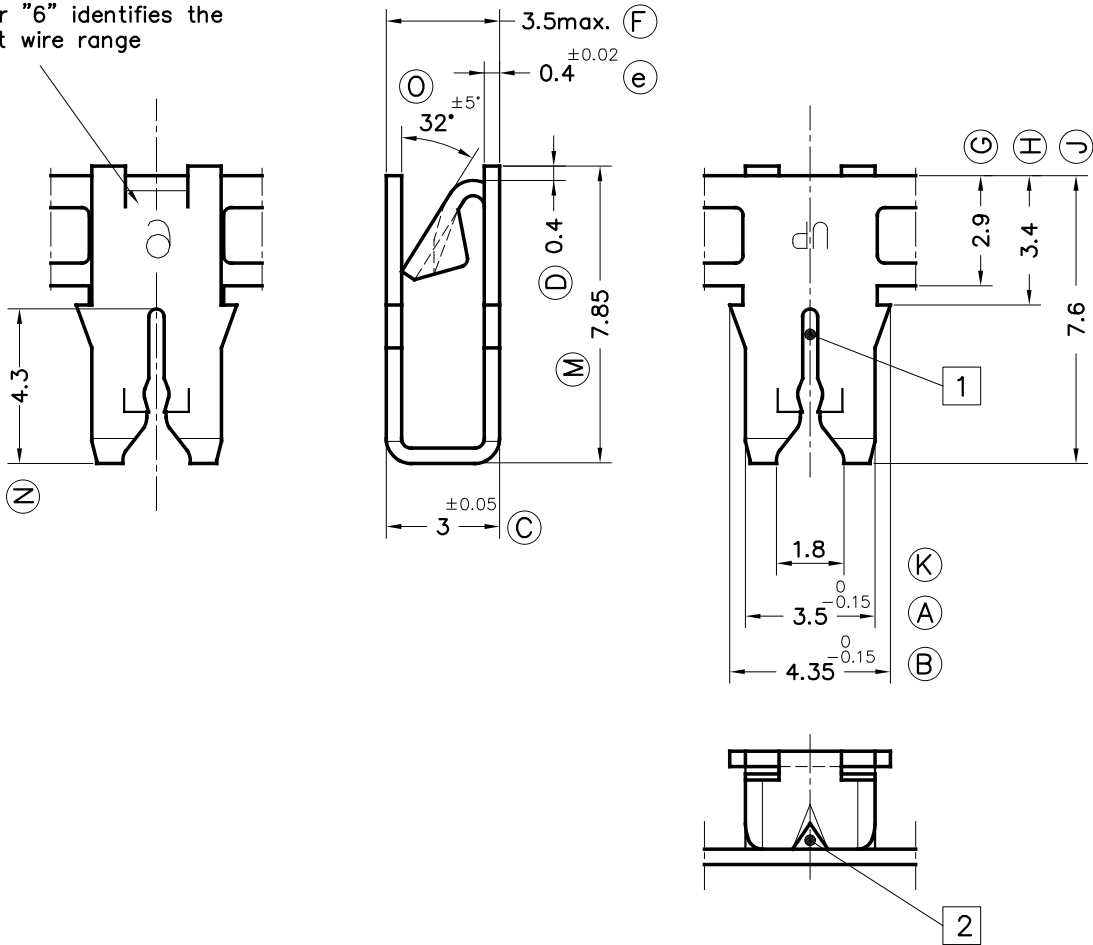


Number "6" identifies the magnet wire range



Notes:

1 Copper wires: Slot allows insertion of single magnet wire.
Aluminium wires: Slot may accept single aluminium magnet wires. Consult Escubedo for the wire range.

2 Allows connection of UP-MATE tabs, as well as rigid or multi-stranded wires

05	Inf. updated	15/10/18
04	Inf. updated	02/08/18
03	∅Copp.Magn.Wire	04/04/17
02	Updated&Al.wire	13/03/17
01	Dimens.Rev.	01/07/09
00	1st. Edition	11/02/09

6906.02	Tinplated	CuZn30*	0.45-0.57 mm	0.5-0.9 mm ²				
References	Finish	Material	∅Copper Magnet wire 1	Cable Sq.section 2	A	B	C	D

<p>ESCUBEDO Especialitats Elèctriques Escubedo S.A.</p>			<p>FEMALE UP-MATE</p>					
DWN	JCS	11/02/09			SIZE		A4v	
CHK	FAT	11/02/09	MATERIAL STANDARDS	DIMENSIONAL STANDARDS	GENERAL TOLERANCES		DRW NAME	
SCALE		5/1	EN 1654*	Specials	±0.2 ±2°		PT6906 "c"	
							REF.	6906.xx