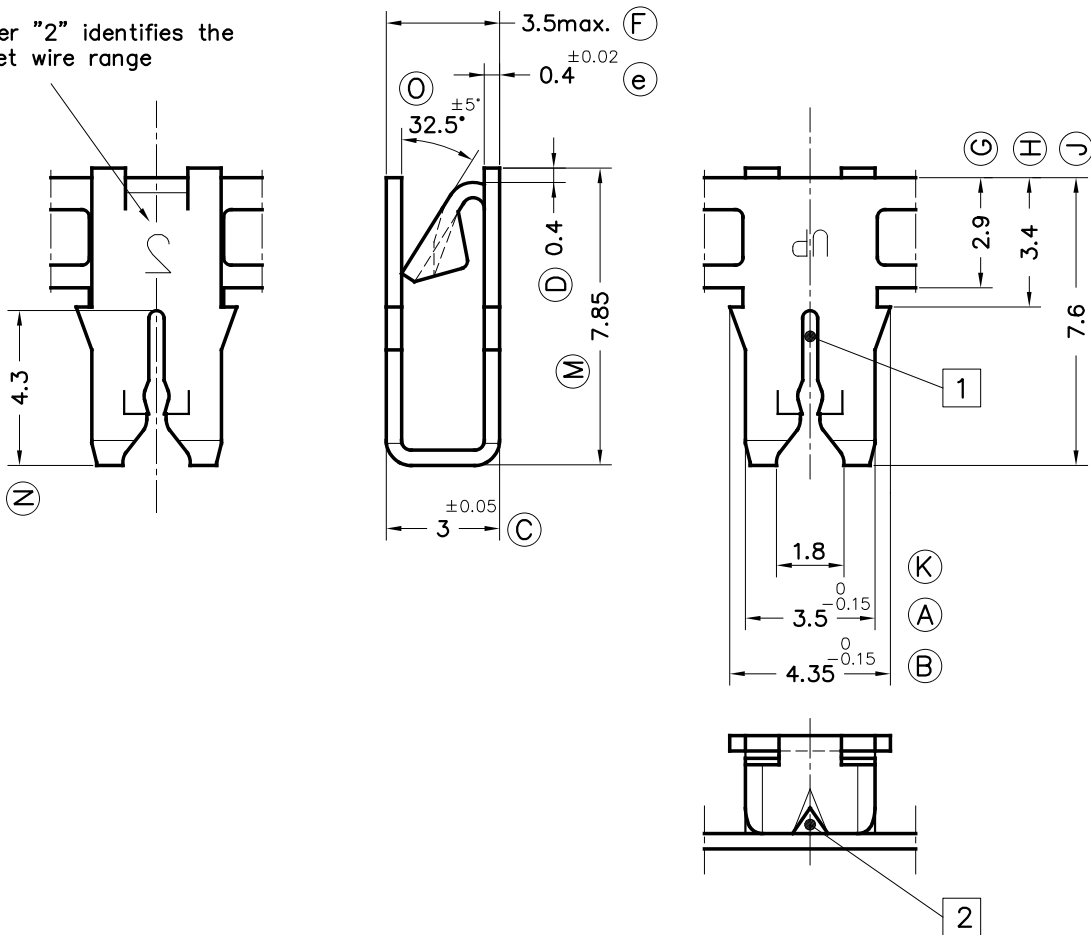


Number "2" identifies the magnet wire range



Notes:

1 Copper wires: Slot allows insertion of single magnet wire.
Aluminium wires: Slot may accept single aluminium magnet wires. Consult Escubedo for the wire range.

2 Allows connection of UP-MATE tabs, as well as rigid or multi-stranded wires

03	Inf. updated	02/08/18
02	Updated & Al. wire	13/03/17
01	Dimens. Rev.	01/07/09
00	1st. Edition	16/07/08
Rev.	Description	Date

6902.02	Tinplated	CuZn30*	0.65-0.8 mm	0.8-1.0 mm ²				
References	Finish	Material	∅Copper Magnet wire	Cable Sq.section	A	B	C	D

<p>ESCUBEDO Especialitats Elèctriques Escubedo S.A.</p>			<p>FEMALE UP-MATE</p>					
DWN	JCS	16/07/08			SIZE	A4v		
CHK	FAT	16/07/08	MATERIAL STANDARDS	DIMENSIONAL STANDARDS	GENERAL TOLERANCES	DRW NAME	PT6902 "c"	
SCALE	5/1		EN 1654*	Specials	±0.2 ±2°	REF.	6902.xx	