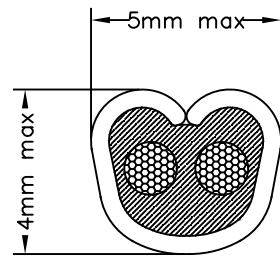


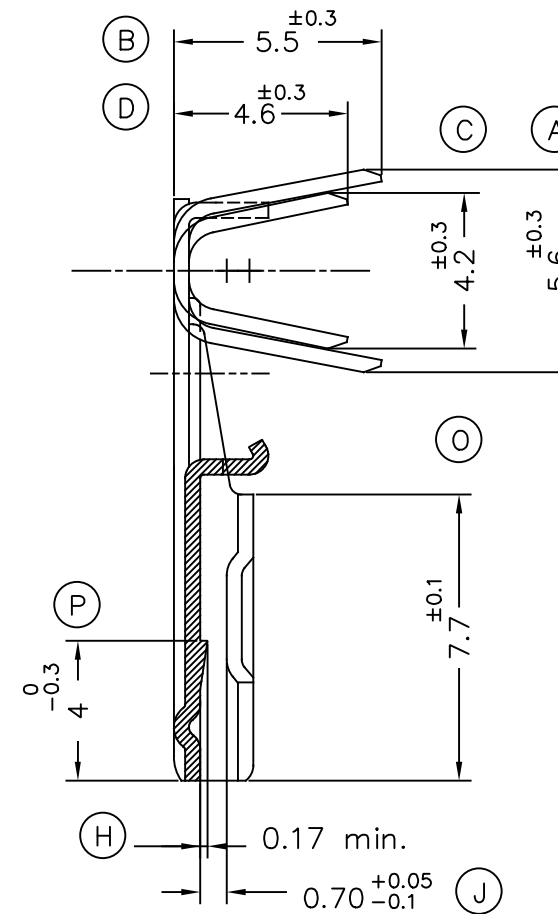
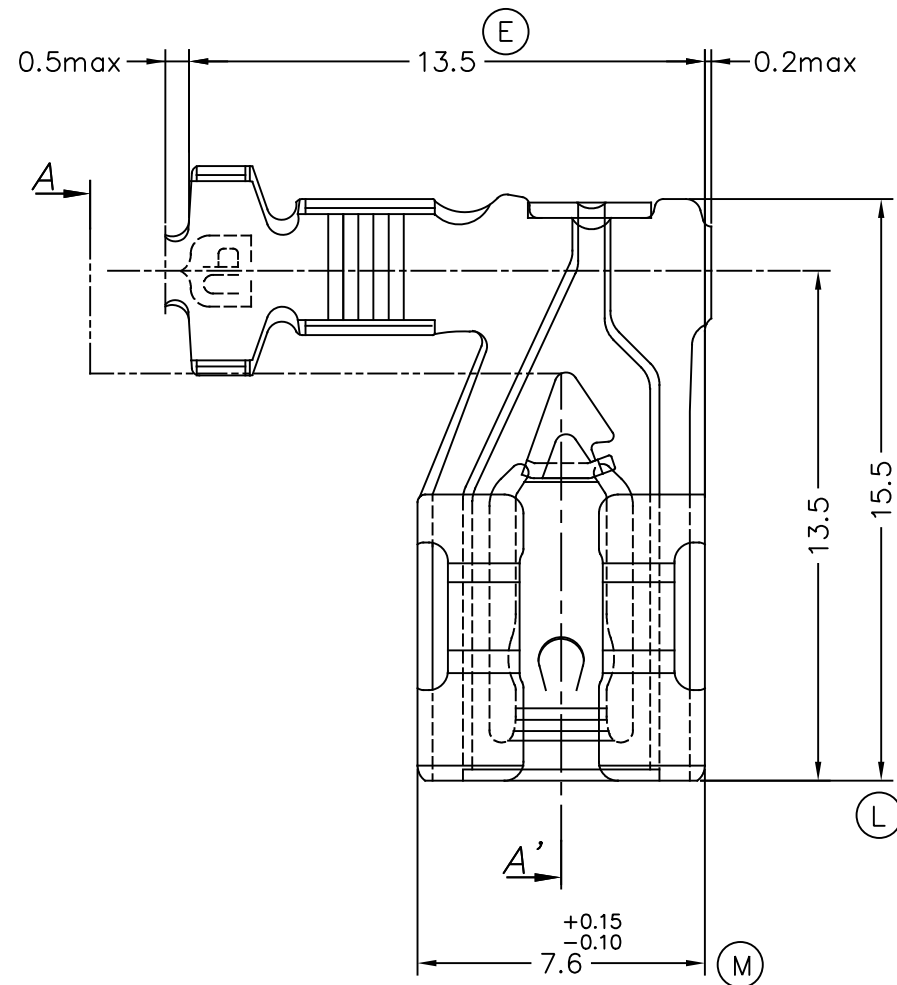
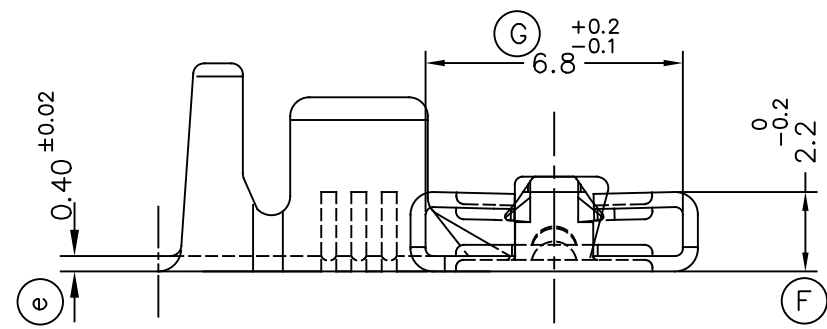
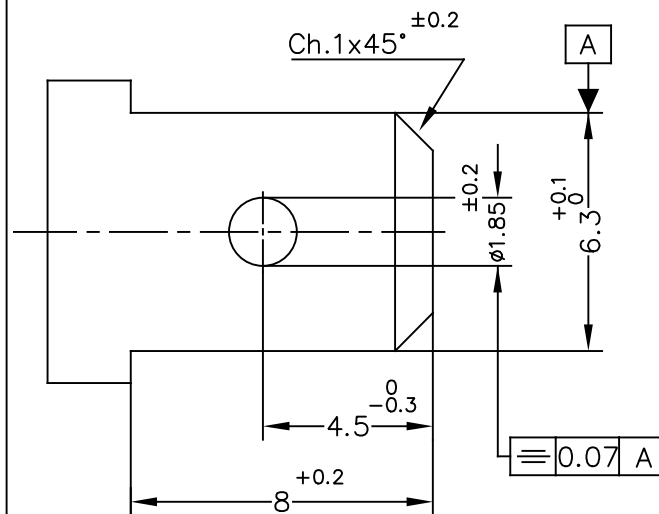
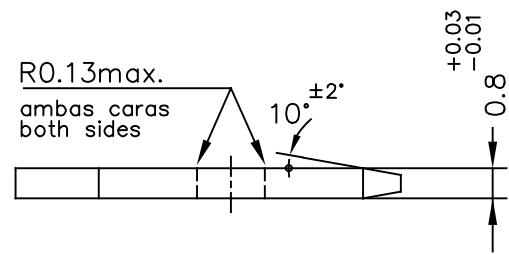
DOBLE ENGASTADURA PARALELA



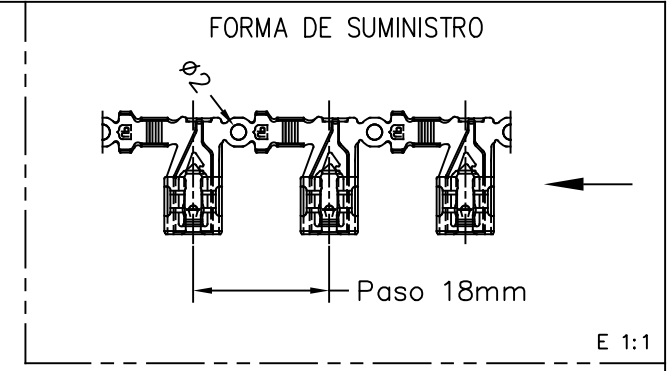
| COMBINACION DOBLE ENGASTADURA | | | | | |
|-------------------------------|-----|-----|-----|---|---|
| m.m.2 | 1.0 | 1.5 | 2.5 | 4 | 5 |
| 1.0 | | | X | | |
| 1.5 | | X | X | | |
| 2.5 | | | | | |

MACHO DE CONEXIÓN SUGERIDO/SUGGESTED MALE

- Material CuZn o Fe-Pre Ni
- Sin rebabas en el agujero/No burrs at hole
- Planitud dentro de 0.03mm en toda su longitud/Flatness within 0.03mm over the whole length
- Agujero simétrico sobre el eje del macho/ Hole be symmetrical about tab acc. drawing specification



seccion A-A'



| | | | | | | | | |
|-------------|----------|----------|-------------------------|-------------|------------|------|----------------------------|----------|
| 5734.51 | Pre-Sn | CuNiSi* | 2.5÷4.0 mm ² | 2.4÷5.1 mm. | 6.3x0.8 | 03 | Mod. cota H (OR) | 26/07/21 |
| 5734.24 | Pre-Ni | Acero | | | | 02 | Mod. cota H y nota palanca | 28/08/19 |
| 5734.01 | Pre-Sn | CuZn30* | | | | 01 | Tol.cota H | 30/05/16 |
| 5734.00 | Natural | | | | | 00 | 1ª Edición | 12/06/15 |
| Referencias | Acabados | Material | Sección Conductor | Ø Aislante | Para Macho | Rev. | Modificación | Fecha |



Terminal Bandera Hembra Serie 6.3
TP-TPSEK3-Seguridad/Conector



| | | |
|----------|-----|----------|
| DIBUJADO | FAT | 12/06/15 |
| CONTROL | JCS | 12/06/15 |
| ESCALA | 5/1 | ⊕ |

| | | |
|-------------------|----------------------|-----------------------|
| NORMAS MATERIALES | NORMAS DIMENSIONALES | TOLERANCIAS GENERALES |
| EN 1654* | Especiales | ±0.2 ±2° |

| | |
|---------|------------|
| FORMATO | A3h |
| NOMBRE | PT5734 "c" |
| REF. | 5734.xx |