

P8413xx

6.3 (.250) UP-TP HOUSINGS RECEPTACLES PITCH 8 MM - 3 WAYS



Description HOUSINGS RECEPTACLES PITCH 8 MM - 3 WAYS CONNECTOR

Thermal characteristics

Part Number	Raw Material	Flammability Class (UL 94)	Glow Wire Flammability Index (IEC60695-2-12)	RTI Electrical (Max. Operating Temp.)	Glow Wire Test (IEC60695-2-11)	UL Approvals / File
P841310	PA	V2	1.60mm @ 850°C	0.38mm @ 105°C	550°C	UL1977/E245592
P841340	PA	V2	0.38mm @ 960°C	0.38mm @ 130°C	750°C	UL1977/E245592
P841345	PA	V2	0.38mm @ 960°C	0.38mm @ 130°C	750°C	UL1977/E245592
P841395	PA	V0	-	0.75mm @ 130°C	750°C	UL1977/E245592

Compatibility
(Terminals supported)

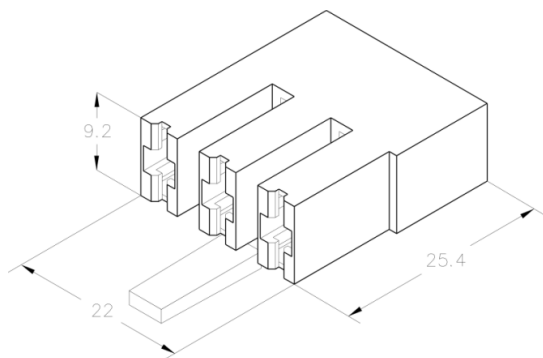
Wire size (mm ²)	PN. With upper dimple	PN. Without dimple
0.20 – 0.60	4120F**	4121F**
0.50 – 1.00	4120.**	4121.**
0.50 – 1.50	4120E**	4121E**
1.00 – 2.50	4122.**	4123.**
2.50 – 5.00 ¹	4124.**	4125.**

(**) Receptacle material and finishing

Mechanical properties
(Terminal-connector for way)

1 st . Insertion	15 N Max.
1 st . Withdrawal lock	75 N Min.

Drawing



Approvals

UL1977/E245592	
----------------	---

¹ Maximum measurement of the height of the insulation 4.9mm

Disclaimer

Data obtained from Escubedo Laboratory essays, using own methodology, cabling, equipment and original crimping tools, done in laboratory conditions and following the indicated standards, errors and omissions excepted. This document has no contractual meaning and it is publicised only for informative purposes. It can be changed without prior notice. The end customer has the sole responsibility to check these characteristics in its environment and with its own components, manufacturing methods and equipment. See also the full range product overview if available. For further information please visit our web site or contact us.

Rev. Nr.	Concept	Date	Created/Revised	Approved
1	Creation	13/03/2018	D.Martinez / E.Roura	X.Menac