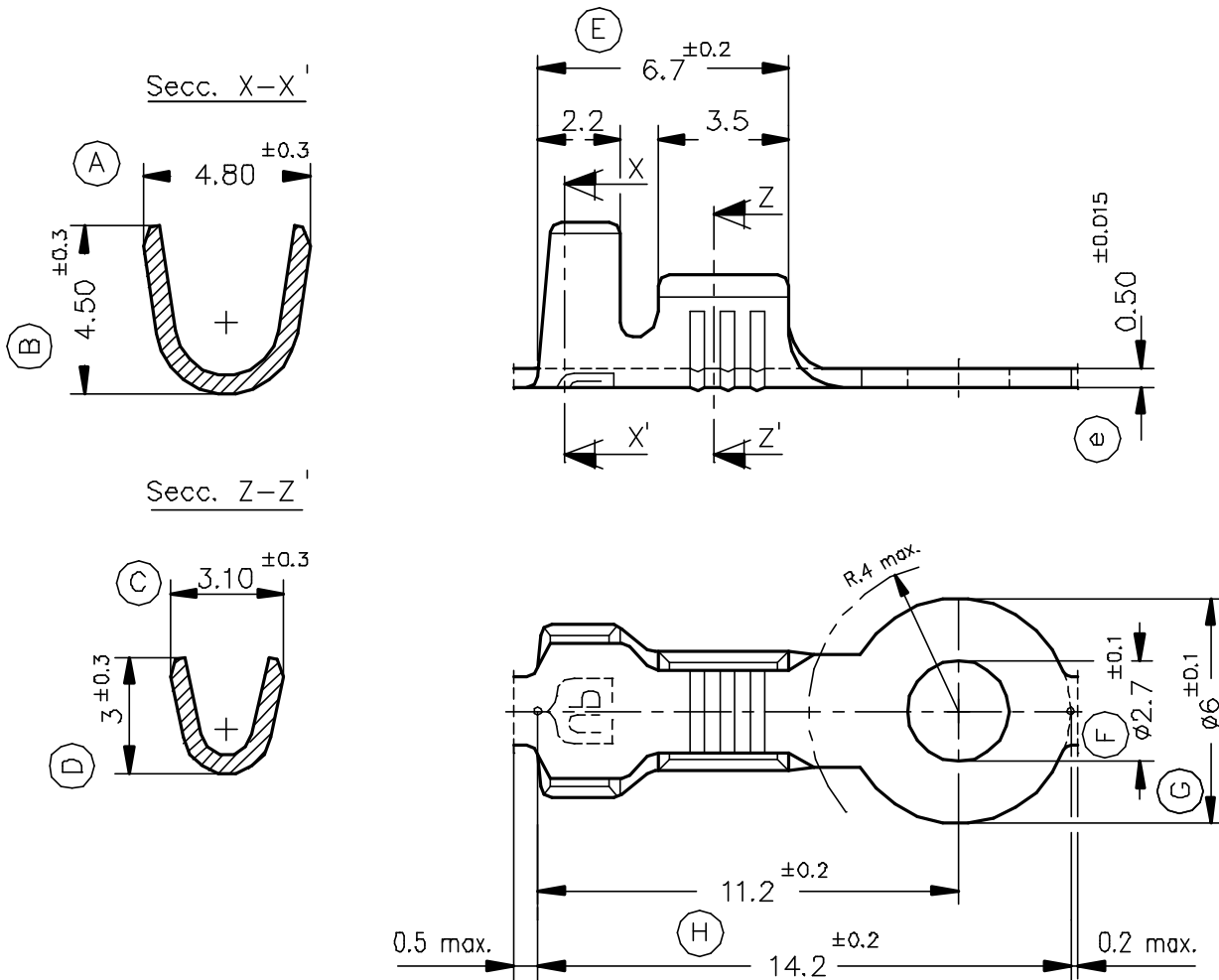
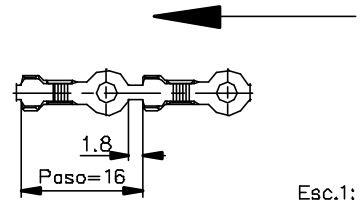



FORMA DE SUMINISTRO



|             |           |                 |                        |              |   |   |   |   |      |              |       |  |  |  |  |  |  |  |  |
|-------------|-----------|-----------------|------------------------|--------------|---|---|---|---|------|--------------|-------|--|--|--|--|--|--|--|--|
| 3440.32     | Estañado  | Bronce          | 0.5 ÷ 1mm <sup>2</sup> | 1.8 ÷ 2.5mm. |   |   |   |   |      |              |       |  |  |  |  |  |  |  |  |
| 3440.30     | Natural   | CuSn6           |                        |              |   |   |   |   |      |              |       |  |  |  |  |  |  |  |  |
| 3440.24     | Pre-Niq.  | Acero           |                        |              |   |   |   |   |      |              |       |  |  |  |  |  |  |  |  |
| 3440.04     | Niquelado | Latón<br>CuZn30 |                        |              |   |   |   |   |      |              |       |  |  |  |  |  |  |  |  |
| 3440.02     | Estañado  |                 |                        |              |   |   |   |   |      |              |       |  |  |  |  |  |  |  |  |
| 3440.00     | Natural   |                 |                        |              |   |   |   |   |      |              |       |  |  |  |  |  |  |  |  |
| Referencias | Acabados  | Material        | Sección<br>Conductor   | Ø Aislante   | A | B | C | D | Rev. | Modificación | Fecha |  |  |  |  |  |  |  |  |

|  |          |   |   |  |  |  |  |  |  |  |
|--|----------|---|---|--|--|--|--|--|--|--|
|  <b>ESCUBEDO</b><br>Especialitate Eléctriques Escubedo S.A. |          |   | <b>TERMINAL PARA TORNILLO Ø6 A2.5-1</b> |  |  |  |  |  | <b>Terminales</b><br> |  |
| DIBUJADO   | Gemma    | 10/10/94  |   |  |  |  |  |  | NORMAS<br>MATERIALES<br>DIN17670   |  |
| CONTROL  | F.Adamuz | 10/10/94  |   |  |  |  |  |  | NOMBRE<br>PT3440 "c"   |  |
| ESCALA   | 5/1      |  |   |  |  |  |  |  | REF. 3440.xx   |  |