

## 8847.\*\*

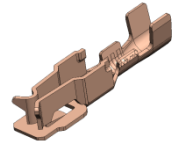


### SPECIAL TERMINALS - LAMP HOLDER 5W - SECONDARY LOCK

**Description** Lamp holder 5W – Secondary lock

**Wire section range** 0.75 ÷ 1.5 mm<sup>2</sup> (AWG 18 ÷ 16)

**Max. Insulator Ø** 3.3 mm



**Materials, Temperature & Contact resistance**

Part nr.	Material	Finish	Max. temp. (C°)	DV (mV)
8847.00	Brass	Natural	110	8.2
8847.01	Brass	Pre tin plated	120	6.5

**Note:** Voltage drop (crimp zone + contact zone) with lower section cable.

**Material thickness** 0.4 mm

**Insertion/Withdrawal forces**

1 <sup>st</sup> . Insertion	15 N Max.
1 <sup>st</sup> . Withdrawal	5 N Min.

**Note:** Measured value lamp-fitting (mounted with two terminations)

**Application tool** MN8800K

**Wire striping length** 5.0 (±0.5) mm

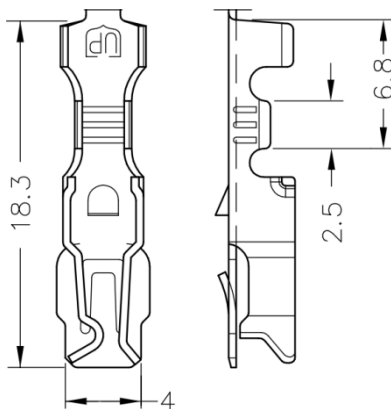
**Crimping parameters & Pull out force**

Wire section (mm <sup>2</sup> ±10%)		Conductor (mm)		Insulator (mm)	Pull-out force (N)
Nominal	Actual	Height (±0,05)	Width (measured)	Width (measured)	Escubedo
0.75	0.71	1.55	2.37	3.62	>130
1.00	0.93	1.65	2.37	3.65	>165
1.50	1.45	1.75	2.41	3.67	>250

**Note:** Values only valid for the application tool specified. The insulator width is only indicative as they depend of the insulation properties.

**Packaging** 5000 Pieces on 25 mm. cardboard reel, 11.5 mm terminal chain pitch

**Drawing**



**Approvals**

- RoHS Compliant



**Disclaimer**

Data obtained from Escubedo Laboratory essays, using own methodology, cabling, equipment and original crimping tools, done in laboratory conditions and following the indicated standards, errors and omissions excepted. This document has no contractual meaning and it is published only for informative purposes. It can be changed without prior notice. The end customer has the sole responsibility to check these characteristics in its environment and with its own components, manufacturing methods and equipment. See also the full range product overview if available. For further information please visit our web site or contact us.

Rev. Nr.	Concept	Date	Created/Revised	Approved
2	Crimp data & Sheet format update	24/11/2015	D.Martinez / E.Roura	JC Sanchez
1	Creation	03/05/2011	D.Martinez	A.Calvet