

## 6424.xx

6.3 MM (.250) UP-STA TERMINALS - MALES FOR CONNECTOR WITHOUT DIMPLE HOLE



**Description** Males 6.3\*0.8 for connector (Without dimple hole)

**Wire section range** 0.50 – 1.00 mm<sup>2</sup> (AWG 20 - 18)

**Max. Insulator Ø** 2.5 mm

**Dimensional standard** DIN 46343



**Materials, Temperature & Contact resistance**

Part nr.	Material	Finishing	Max. Temp. (C°)	UL regulation
6424.00	Brass	Natural	110	
6424.01	Brass	Pre-tin plated	120	
6424.02	Brass	Tin plated	120	-
6424.30	Bronze	Natural	120	-
6424.31	Bronze	Pre-tin plated	130	-


**Notes:** Max. recommended temperatures

**Material thickness** 0,4 mm

**Application tool** MN6424

**Wire stripping length** 5.0(±0.5) mm

**Crimping parameters & Pull out force**

Wire section (mm <sup>2</sup> ±10%)		Conductor (mm) 		Insulator (mm)	Pull-out force (N)	
Nominal	Actual	Height (±0,05)	Width (Measured)	Width (Measured)	DIN64249	ESCUBEDO
0,50	0,45	1,35	2,09	3,44	≥80	>85
0,75	0,71	1,45	2,09	3,45	≥120	>130
1,00	0,93	1,55	2,11	3,46	≥160	>170

**Note:** Values only valid for the application tool specified upwards. The insulator widths are only indicative as they are dependent on the sheath thickness of the wire used.

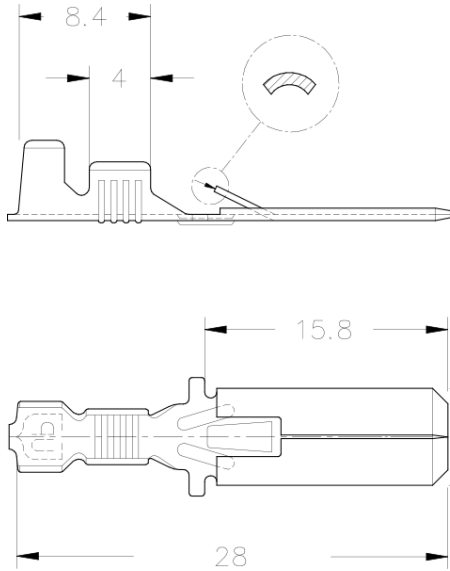
**Packaging** 5000 Pieces on 300 mm Ø x 160 mm wide cardboard reel, 30 mm terminal chain pitch

**6424.xx**

6.3 MM (.250) UP-STA TERMINALS - MALES FOR CONNECTOR WITHOUT DIMPLE HOLE



**Drawing**



**Approvals**

- RoHS Compliant
- UL (see table above)



**Connectors Compatibility**

Part number	Color	Way	PA66V2	ABS
2634110	Natural	1	x	
2634210	Natural	2	x	
2637710	Natural	2	x	
2637715	Black	2	x	
2637210	Natural	2	x	
2637610	Natural	2	x	
2634310	Natural	3	x	
2634410	Natural	4	x	
2634610	Natural	6	x	
2639628	Grey	6		x
2634810	Natural	8	x	
2637910	Natural	11	x	
2638310	Natural	8	x	
2638210	Natural	6	x	

**Note:** For others materials and colours consult the specific datasheet

**Disclaimer**

Data obtained from Escubedo Laboratory essays, using own methodology, cablings, equipment and original crimping tools, done in laboratory conditions and following the indicated standards, errors and omissions excepted. This document has no contractual meaning and it is publicised only for informative purposes. It can be changed without prior notice. The end customer has the sole responsibility to check these characteristics in its environment and with its own components, manufacturing methods and equipment. See also the full range product overview if available. For further information please visit our web site or contact us.

Rev. Nr.	Concept	Date	Created/Revised	Approved
1	Creation & Derating	05/05/2006	Marc Garangou	Luis Barea
2	Standard max. Temp. change	24/03/2011	David Martinez	Joan Carles Sanchez
3	Crimp data & data format update	18/11/2015	D.Martinez/E.Roura	Joan Carles Sanchez