

6421.xx

6.3 MM (.250) UP-STA TERMINALS - MALES FOR CONNECTOR WITHOUT DIMPLE HOLE



Description Males 6.3*0.8 for connector (Without dimple hole) Insulation FLR

Wire section range 0.50 – 1.00 mm² (AWG 20 - 18)

Max. Insulator Ø 2.1 mm. FLR

Dimensional standard DIN 46343

Materials, Temperature & Contact resistance

Part nr.	Material	Finishing	Max. Temp. (C°)
6421.00	Brass	Natural	110
6421.01	Brass	Pre-tin plated	120
6421.02	Brass	Tin plated	120
6421.30	Bronze	Natural	120
6421.31	Bronze	Pre-tin plated	130


Notes: Max. recommended temperatures

Material thickness 0,4 mm

Application tool MN6421

Wire striping length 5.0(±0.5) mm

Crimping parameters & Pull out force

Wire section (mm ² ±10%)		Conductor (±0,05) 		Insulator (±0,1)	Pull-out force (N)	
Nominal	Actual	Height (mm.)	Width (mm.)	Width (mm.)	DIN64249	ESCUBEDO
0,50	0,45	1,35	2,09	2,95	≥80	>85
0,75	0,71	1,45	2,09	2,95	≥120	>130
1,00	0,93	1,55	2,11	2,98	≥160	>170

Note: Values only valid for the application tool specified upwards. The insulator widths are only indicative as they are dependent on the sheath thickness of the wire used.

Packaging 6000 Pieces on 300 mm. Ø x 160 mm. wide cardboard reel, 30 mm terminal chain pitch

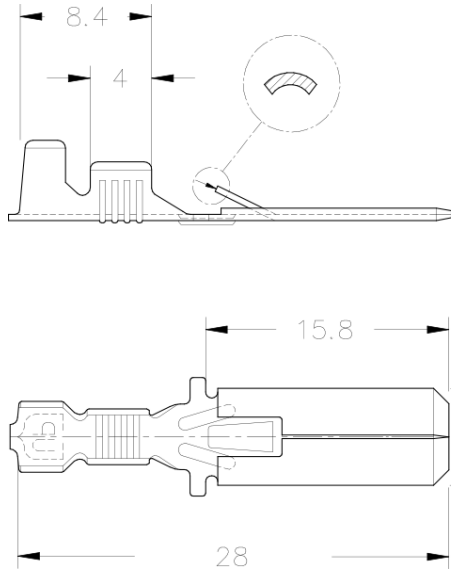


6421.xx

6.3 MM (.250) UP-STA TERMINALS - MALES FOR CONNECTOR WITHOUT DIMPLE HOLE



Drawing



Approvals

- RoHS Compliant



Connectors Compatibility

Part number	Color	Way	PA66V2	ABS
2634110	Natural	1	x	
2634210	Natural	2	x	
2637710	Natural	2	x	
2637715	Black	2	x	
2637210	Natural	2	x	
2637610	Natural	2	x	
2634310	Natural	3	x	
2634410	Natural	4	x	
2634610	Natural	6	x	
2639628	Grey	6		x
2634810	Natural	8	x	
2637910	Natural	11	x	
2638310	Natural	8	x	
2638210	Natural	6	x	

Note: For others materials and colours consult the specific datasheet

Disclaimer

Data obtained from Escubedo Laboratory essays, using own methodology, cabling, equipment and original crimping tools, done in laboratory conditions and following the indicated standards, errors and omissions excepted. This document has no contractual meaning and it is publicised only for informative purposes. It can be changed without prior notice. The end customer has the sole responsibility to check these characteristics in its environment and with its own components, manufacturing methods and equipment. See also the full range product overview if available. For further information please visit our web site or contact us.

Rev. Nr.	Concept	Date	Created/Revised	Approved
1	Creation	04/12/2014	D.Martinez/E.Roura	Joan Carles Sanchez
2	Update Crimping parameters/Pull out force	05/05/2015	D.Martinez/E.Roura	Joan Carles Sanchez