

5712.**

4.8 MM (.187) UP-TPSEK FLAG TERMINALS



Description Basic self-locking under TP design flag receptacles Low insertion for tab 4.8*0.50

Wire section range 0.50 – 1.50 mm² (AWG 20 - 16)

Max. Insulator Ø 3.3 mm

Materials, Temperature & Contact resistance

Part nr.	Material	Finishing	Max. Temp. (C°)	Resist. (mΩ)	UL regulation
5712.00	Brass	Natural	110	(T.B.D.)	
5712.01	Brass	Pre-tin plated	120	(T.B.D.)	
5712.30	Bronze	Natural	120	(T.B.D.)	-
5712.31	Bronze	Pre-tin plated	130	(T.B.D.)	-
5712.24	Steel	Nickel-plated	300	(T.B.D.)	

Material thickness 0.35 mm

Max. Rated current

Wire section (mm ²)	Current (A)
0.50	8
0.75	10
1.00	12
1.50	16



Insertion/Withdrawal forces

1st. Insertion	25 N Max
1st. Withdrawal	70 N Min

Application tool MN5712

Wire striping length 4.00 (±0.5) mm

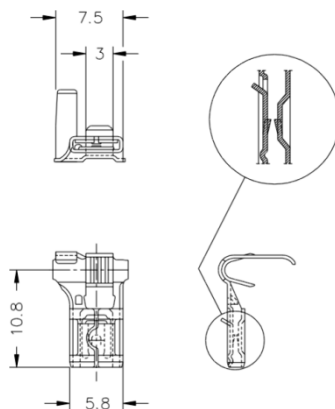
Crimping parameters & Pull out force

Wire section (mm ² ±10%)	Conductor		Insulator	Pull-out force (N)
	Height (±0.05)	Width (measured)	Width (measured)	
Nominal				Escubedo
0.50	1.25	2.41	3.52	>90
0.75	1.35	2.42	3.53	>130
1.00	1.45	2.46	3.54	>170
1.50	1.65	2.49	3.55	>210

Note: Values only valid for the application tool specified upwards. The insulator widths are only indicative as they are dependent on the sheath thickness of the wire used.

Packaging 5000 Pieces on 16 mm cardboard reel, 15.5 mm terminal chain pitch

Drawing



Approvals

- RoHS Compliant
- UL (see table above)



Note: (T.B.D.): To be determined

Disclaimer

Data obtained from Escubedo Laboratory essays, using own methodology, cablings, equipment and original crimping tools, done in laboratory conditions and following the indicated standards, errors and omissions excepted. This document has no contractual meaning and it is published only for informative purposes. It can be changed without prior notice. The end customer has the sole responsibility to check these characteristics in its environment and with its own components, manufacturing methods and equipment. See also the full range product overview if available. For further information please visit our web site or contact us.

Rev. Nr.	Modification	Date	Created/Revised	Approved
4	Update	04/10/2016	D.Martinez/E.Roura	X.Menac