

4915.**

4.8 MM (.187) UP-TP LOCK TERMINALS - LOW INSERTION






Description Receptacles basic self-locking under TP design for tab 4.8*0.8

Wire section range 0.50 ÷ 1.00 mm² (AWG 20 ÷ 18)

Max. Insulator Ø 2.5 mm.



Materials, Temperature & Contact resistance

Part nr.	Material	Finish	Max. temp. (C°)	Resist. (mΩ)	UL regulation
4915.00	Brass	Natural	110	(T.B.D.)	
4915.01	Brass	Pre tin plated	120	(T.B.D.)	
4915.02	Brass	Tin plated	120	(T.B.D.)	-
4915.30	Bronze	Natural	120	(T.B.D.)	-
4915.31	Bronze	Pre tin plated	130	(T.B.D.)	-
4915.24	Steel	Nickel-plated	300	(T.B.D.)	

Notes: Maximal contact resistance: only contact area

Material thickness 0,35 mm

Max. Rated current

Maximum Current values.

Values of the table show the recommended maximum current values, limited by the cross section of the cable used.

These maximum values also depend on the ambient temperature, and can be reduced depending on the working conditions.

For more precise information about the maximum rating current applicable in each case, consult the "Temperature Rise" and "De-rating" curves.

Wire section (mm ²)	Current (A)
0.50	8
0.75	10
1.00	12

Insertion/Withdrawal forces

1 st . Insertion	25 N Max.
1 st . Withdrawal	70 N Min.

Application tool MN4813

Wire striping length 4.4 (±0.5) mm

Crimping parameters & Pull out force

Wire section (mm ² ±10%)		Conductor (mm)		Insulator (mm)	Pull-out force (N)	
Nominal	Actual	Height (±0,05)	Width (measured)	Width (measured)	DIN64249	ESCUBEDO
0.50	0.45	1.30	2.11	3.15	≥ 80	>90
0.75	0.71	1.40	2.13	3.15	≥ 120	>130
1.00	0.93	1.50	2.13	3.17	≥ 160	>170

Note: Values only valid for the application tool specified. The insulator width is only indicative as they depend of the insulation properties.

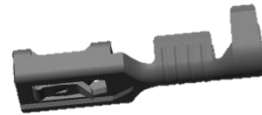
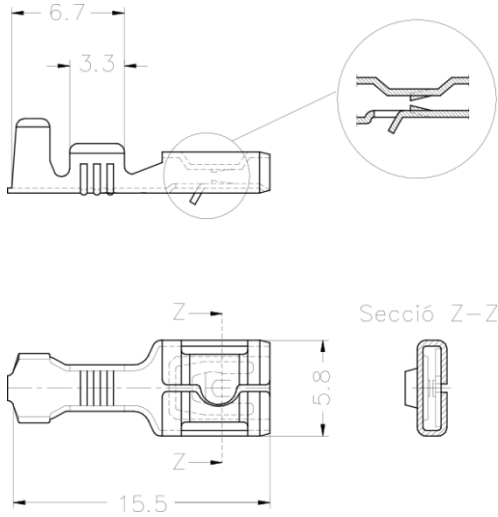
Packaging 10000 Pieces on 300 mm. Ø x 160 mm. wide cardboard reel, 17,5 mm terminal chain pitch

4915.**

4.8 MM (.187) UP-TP LOCK TERMINALS - LOW INSERTION



Drawing



Approvals

- RoHS Compliant
- UL (see table above)



Note: (T.B.D.) to be determined

Disclaimer

Data obtained from Escubedo Laboratory essays, using own methodology, cablings, equipment and original crimping tools, done in laboratory conditions and following the indicated standards, errors and omissions excepted. This document has no contractual meaning and it is publicised only for informative purposes. It can be changed without prior notice. The end customer has the sole responsibility to check these characteristics in its environment and with its own components, manufacturing methods and equipment. See also the full range product overview if available. For further information please visit our web site or contact us.

Rev. Nr.	Concept	Date	Created/Revised	Approved
2	Update crimp data	15/06/2015	D.Martinez / E.Roura	JC Sanchez
1	Update	11/12/2013	D.Martinez	A.Calvet