

4622.**



6.3 MM (.250) UP-STA TERMINALS

Description Receptacles for tab 6.3*0.8

Wire section range 0.3 – 0.6 mm² (AWG 22 - 20)

Max. Insulator Ø 2.1 mm



Materials, Temperature & Contact resistance

Part nr.	Material	Finishing	Max. temp. (C°)	Resist. (mΩ)
4622.00	Brass	Natural	110	(T.B.D.)
4622.02	Brass	Tin Plated	120	(T.B.D.)

Note: Maximal contact resistance: only contact zone

Material thickness 0.32 mm

Max. Rated current

Maximum Current values.

Values of the table show the recommended maximum current values, limited by the cross section of the cable used. These maximum values also depend on the ambient temperature, and can be reduced depending on the working conditions. For more precise information about the maximum rating current applicable in each case, consult the "Temperature Rise" and "Derating" curves.

Wire section (mm ²)	Current (A)
0.30	2
0.35	4
0.50	5
0.60	5

Insertion/Withdrawal forces

1 st . Insertion	30 N Max
1 st . Withdrawal	60 N Max
6 th . Withdrawal	10 N Min

Application tool MN4322

Wire striping length 5.0 (±0.5) mm

Crimping parameters & Pull out force

Wire section mm ²	Conductor (mm)		Insulator (mm)		Pull-out force (N)
	Height (±0.03)	Width (measured)	Height (measured)	Width (measured)	
0.30	1.00	1.84	2.25	2.65	> 40
0.35	1.05	1.85	2.25	2.66	> 60
0.50	1.10	1.86	2.30	2.67	> 100
0.60	1.10	1.86	2.31	2.67	> 100

Note: Values only valid for the application tool specified. The insulator width is only indicative as they depend of the insulation properties

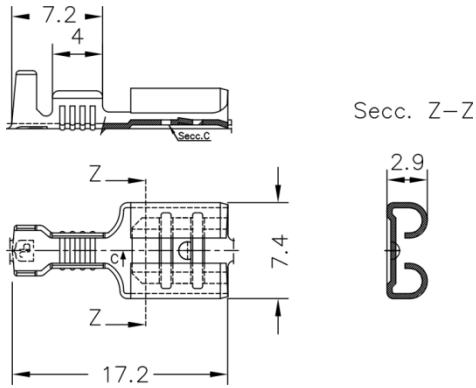
Packaging 9000 Pieces on 300 mm. Ø x 160 mm. wide cardboard reel, 18.75 mm terminal chain pitch

4622.**

6.3 MM (.250) UP-STA TERMINALS



Drawing



Approvals

- RoHS Compliant



Connector Compatibility

Part Number	Nº of Ways	Color	Raw material	UL regulation
2631010	1	Natural	PA66 V2	
2631015	1	Black	PA66 V2	
2631030	1	Natural	PA66 V0	
2631035	1	Black	PA66 V0	
2632100	1	Natural	Polietilene	-
2632110	1	Natural	PA66 V2	-
2632000	1	Natural	Polietilene	-
2632010	1	Natural	PA66 V2	-
2631110	1	Natural	PA66 V2	-
2631310	1	Natural	PA66 V2	
2631315	1	Black	PA66 V2	
2631600	1	Natural	Polietilene	-
2631610	1	Natural	PA66 V2	-
2631615	1	Black	PA66 V2	-
2631630	1	Natural	PA66 V0	-
2631635	1	Black	PA66 V0	-

Note: For others materials and colours ask: info@escubedo.com

Note: T.B.D. To be determined

Disclaimer

Data obtained from Escubedo Laboratory essays, using own methodology, cablings, equipment and original crimping tools, done in laboratory conditions and following the indicated standards, errors and omissions excepted. This document has no contractual meaning and it is published only for informative purposes. It can be changed without prior notice. The end customer has the sole responsibility to check these characteristics in its environment and with its own components, manufacturing methods and equipment. See also the full range product overview if available. For further information please visit our web site or contact us.

Rev. Nr.	Modification	Date	Created/Revised	Approved
1	Creation	07/11/2016	D.Martinez / E.Roura	X.Menac