



3878.**

UP-MATE Series

Description Males for connector– Long tab with side bars

Wire section range 0.50 – 1.00 mm² (AWG 20 - 18)

Max. Insulator Ø 2.3 mm.

Materials, Temperature &

Part nr.	Material	Finishing	Max. temp. (C°)
3878.00	Brass	Natural	110
3878.01	Brass	Pre-tin plated	120
3878.30	Bronze	Natural	120
3878.31	Bronze	Pre-tin plated	130

Notes: Temperatures as per DIN 61210 standard.



Material thickness 0.45 mm

Application tool MN3876

Wire stripping length 3.8 (±0.5) mm

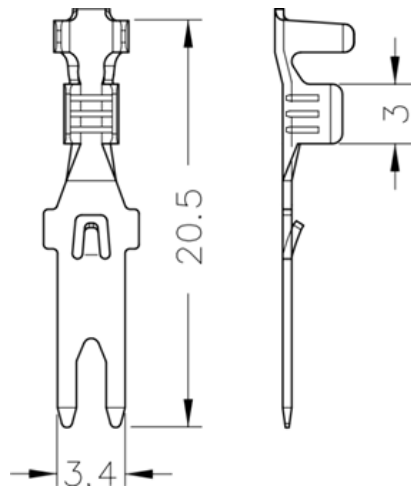
Crimping parameters & Pull out force

Wire section (mm ² ±10%)		Conductor (±0,03)		Insulator (±0,1)	Pull-out force (N)
Nominal	Actual	Height (mm.)	Width (mm.)	Width (mm.)	ESCUBEDO
0.50	0.45	1.40	2.42	3.3	>70
0.75	0.68	1.45	2.45	3.3	>140
1.00	0.91	1.50	2.49	3.3	>157

Note: Values only valid for the application tool specified upwards. The insulator widths are only indicative as they are dependent on the sheath thickness of the wire used.

Packaging 7000 Pieces on 23 mm. cardboard reel, 9.5 mm terminal chain pitch

Drawing



Approvals

- RoHS Compliant



Disclaimer

Data obtained from Escubedo Laboratory essays, using own methodology, cablings and equipment, done in laboratory conditions and following the indicated standards (if indicated), errors and omissions excepted. This document has no contractual meaning and it is publicised only for informative purposes. It can be changed without prior notice. The end customer has the sole responsibility to check these characteristics in its environment and with its own components, manufacturing methods and equipment. See also the full range product overview if available. For further information please visit our web site or contact us.

Rev. Nr.	Modification	Date	Created/Revised	Approved
1	Creation/Update	24/04/2013	D.Martinez	A.Calvet