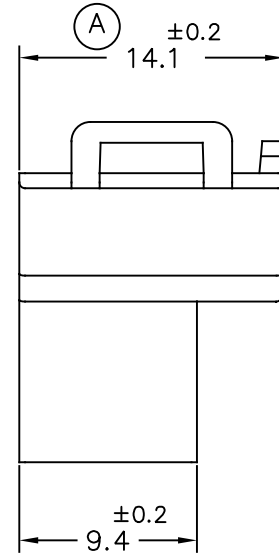
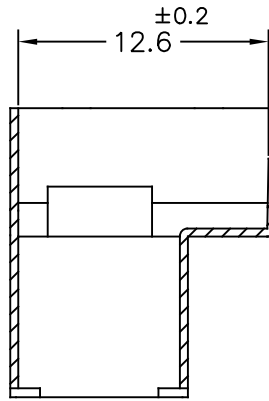
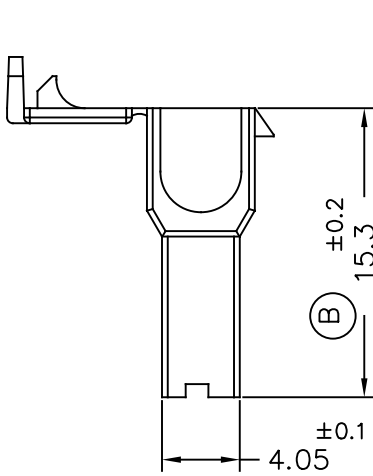
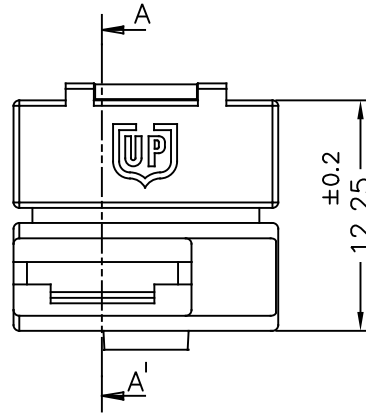
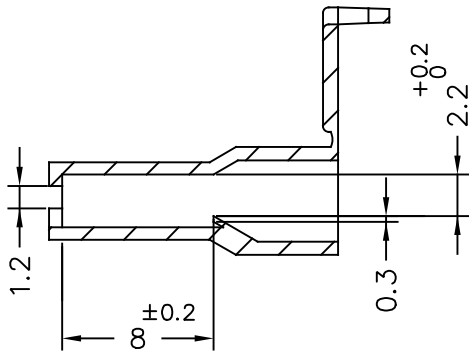
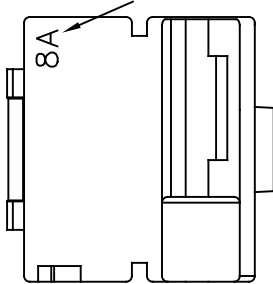


Sect. A-A'



Cavity Number



12	Add new part Number (DY)	02/03/22
11	Update drawing (DY)	02/02/22
10	Add finish/translate english	13/10/21
09	Refuerzo bisagra	17/06/16
08	Añadir 2633360	14/12/15
07	Añadir 2633350	05/05/15
06	Act.cot./Cav.	28/11/14
05	Añadir 2633343	24/01/11
04	Añadir uña	15/04/10
03	Añadir 2633340	17/10/05
02	Geometria	17/11/00
01	Añadir 2633330	03/05/00
00	1ª Edición	17/10/97

BM2633310	Natural	PA6V2	1W	A	Rev.	Modification	Date
2633365	Black	PA66V0 750NF					
2633360	Natural	PA66V0 750NF					
2633350	Natural	STANYL PA46					
2633343	Red	PANF					
2633340	Natural	PANF					
2633330	Natural	PA66V0					
2633310	Natural	PA66V2					
Part Num	Finish	Material	Ways	A	Rev.	Modification	Date

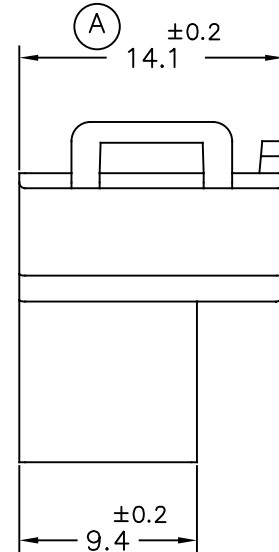
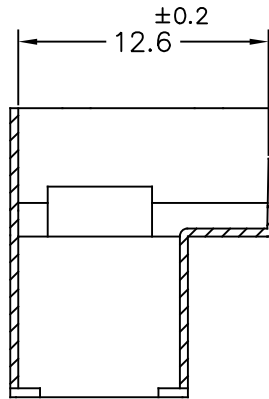
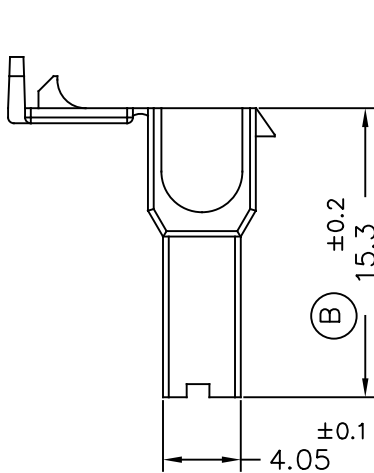
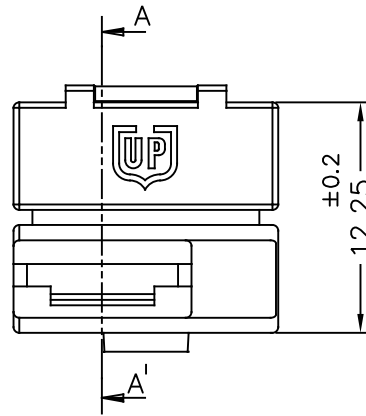
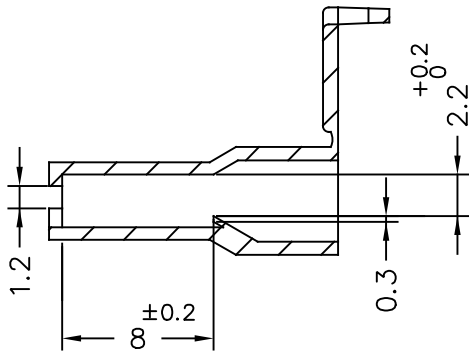


FLAG RECEPTACLE HOUSING 6.3

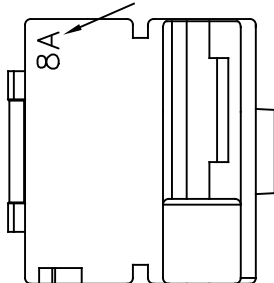


DRAWN	Martí	17/10/97	MATERIAL STANDARD Special	DIMENSIONAL STANDARD Special	GENERAL TOLERANCES ±0.25	FORMAT	A4Va
REVISED	F.Adamuz	17/10/97				DRAWING	PT-C088
SCALE	2.5/1					REF.	26333xx

Sect. A-A'



Cavity Number



13	Update 2633365 colour (OR)	03/11/22
12	Add new part Number (DY)	02/03/22
11	Update drawing (DY)	02/02/22
10	Add finish/translate english	13/10/21
09	Refuerzo bisagra	17/06/16
08	Añadir 2633360	14/12/15
07	Añadir 2633350	05/05/15
06	Act.cot./Cav.	28/11/14
05	Añadir 2633343	24/01/11
04	Añadir uña	15/04/10
03	Añadir 2633340	17/10/05
02	Geometria	17/11/00
01	Añadir 2633330	03/05/00
00	1ª Edición	17/10/97

BM2633310	Natural	PA6V2	1W	A	Rev.	Modification	Date
2633365	Black	PA66V0 750NF					
2633360	Natural	PA66V0 750NF					
2633350	Natural	STANYL PA46					
2633343	Red	PANF					
2633340	Natural	PANF					
2633330	Natural	PA66V0					
2633310	Natural	PA66V2					
Part Num	Finish	Material	Ways	A	Rev.	Modification	Date



FLAG RECEPTACLE HOUSING 6.3



DRAWN	Martí	17/10/97	MATERIAL STANDARD Special	DIMENSIONAL STANDARD Special	GENERAL TOLERANCES ±0.25	FORMAT	A4Va
REVISED	F.Adamuz	17/10/97				DRAWING	PT-C088
SCALE	2.5/1					REF.	26333xx