

**26332\*\***

**6,3 (.250) UP-STA FLAG RECEPTACLE HOUSINGS**



**Description:** Flag Receptacle housing 1 ways

**Drawing / version:** PT-C014A / 08

**Part nr.**

Part number	Color	Raw Material type	Flamability class	RTI Elect.(°C)	UL Regulation
2633210	Natural	PA66	V2	130	UL
2633230	Natural	PA66/6	V0	140	UL
2633235	Black	PA66/6	V0	140	UL
2633240	Natural	PANF	V0	130	UL

\* Max Operating Temp or Rated material RTI (UL Standard or UL subject No.UL310)

**Compatibility  
(Terminals supported)**

Wire size: mm <sup>2</sup> (AWG)	Part number
0.50 – 1.50 (20-16)	5424.**
1.00 – 2.50 (18-14)	5426.**



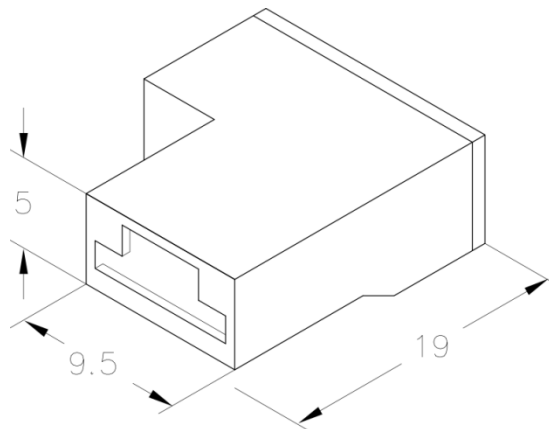
**Mechanical properties  
(terminal-connector efforts)**

Insertion	Withdrawal Door lock <sup>1</sup>	Withdrawal Primary lock
20 N Max.	40 N Min.	40 N Min.

**Drawing**

**Approvals**

- UL (see table above)



<sup>1</sup> Without terminals

**Disclaimer**

Data obtained from Escubedo Laboratory essays, using own methodology, cablings, equipment and original crimping tools, done in laboratory conditions and following the indicated standards, errors and omissions excepted. This document has no contractual meaning and it is publicised only for informative purposes. It can be changed without prior notice. The end customer has the sole responsibility to check these characteristics in its environment and with its own components, manufacturing methods and equipment. See also the full range product overview if available. For further information please visit our web site or contact us

Rev. Nr.	Modification	Date	Created/Revised	Approved
1	Creation	13/02/2015	D.Martinez/E.Roura	Joan Carles Sanchez