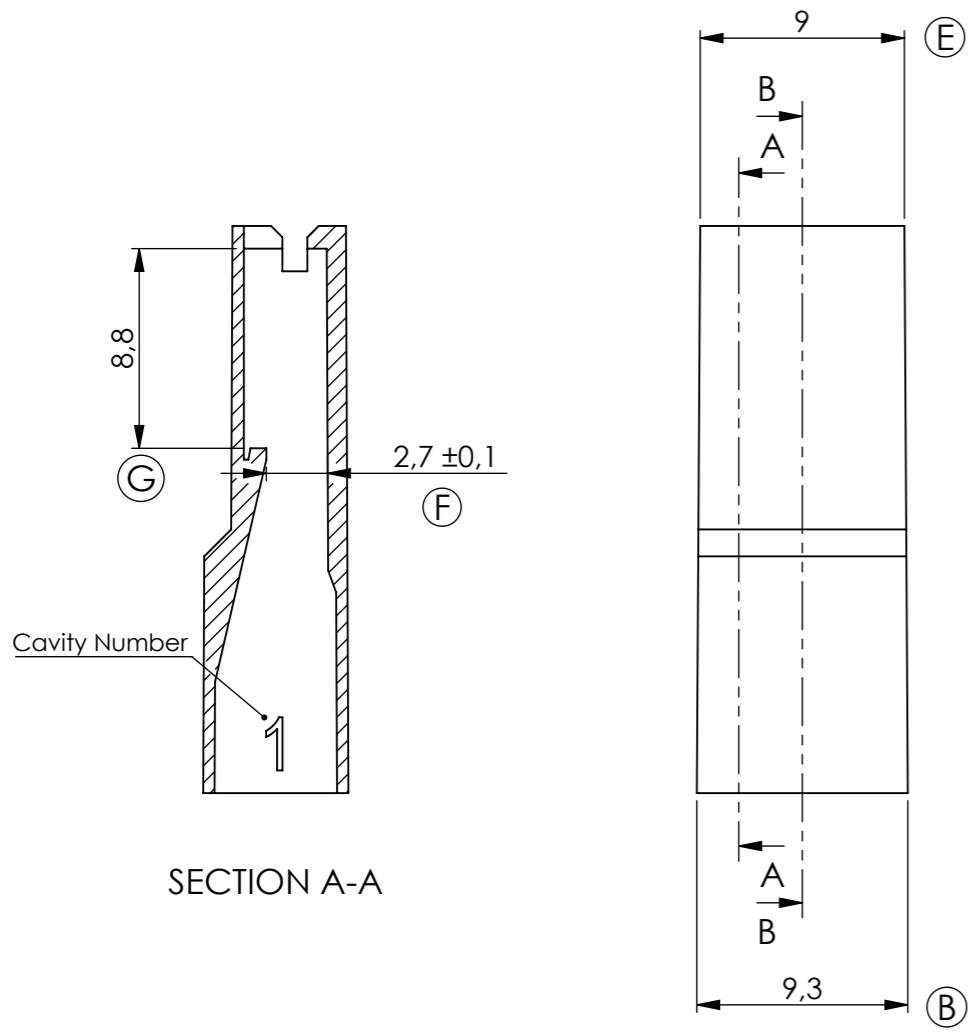


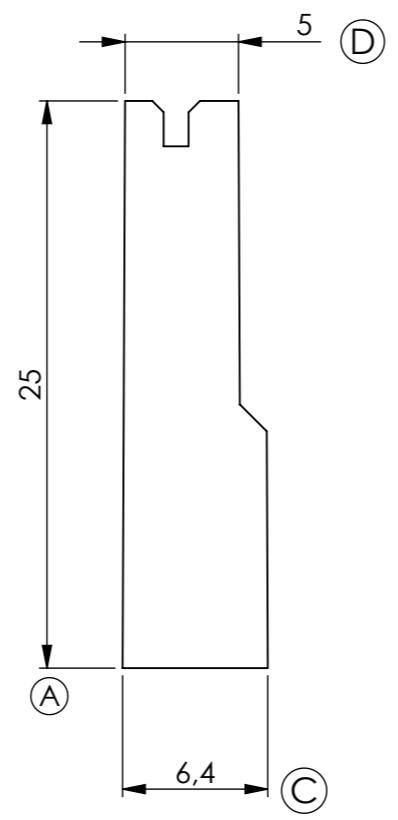
NOTES

SYMBOLS DEFINITION

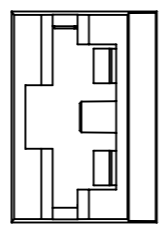
⊗ Control dimension



SECTION A-A



SECTION B-B



2631265	Black	PAV0NF	1				
2631260	Natural	PAV0NF		14	O.Roura	Update dimensions C, D, F, G; add. dimension J	01/06/23
2631250	Natural	STANYL PA4/6		13	-	Ref. 2631260/65	02/02/18
2631240	Natural	PAV2NF		12	-	Ref. 2631212	12/11/12
2631237	Brown	PAV0		11	-	Ref. 2631250	28/02/08
2631235	Black	PAV0		10	-	Ref. 2631240	17/10/05
2631230	Natural	PAV0		09	-	Ref. 2631230	08/07/05
2631217	Brown	PAV0		08	-	Ref. 2631216	31/01/05
2631216	Blue	PAV0		07	-	Ref. 2631213	22/11/04
2631215	Black	PAV0		06	-	Ref. 2631217	26/05/04
2631214	Green	PAV2		05	-	Ref. 2631214	27/01/04
2631213	Red	PAV2		04	-	Añadir cotas	10/11/03
2631212	Yellow	PAV2		03	-	Añadir 2631215	18/07/00
2631210	Natural	PAV2		02	-	Modificación	21/07/95
Part Num.	Finish	Material	Ways	Rev.	Name	Modification	



STRAIGHT HOUSING
6.3 Series



DRAWN	J.Manyer	21/07/95	MATERIAL STANDARD Special	DIMENSIONAL STANDARD Special	GENERAL TOLERANCES ±0,25	FORMAT	A3h
REVISED	F.Adamuz	21/07/95				DRAWING	PTC-c010A
SCALE	3:1					REF.	26312xx