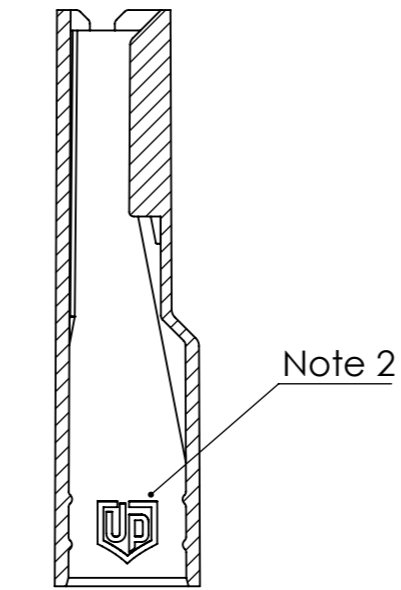
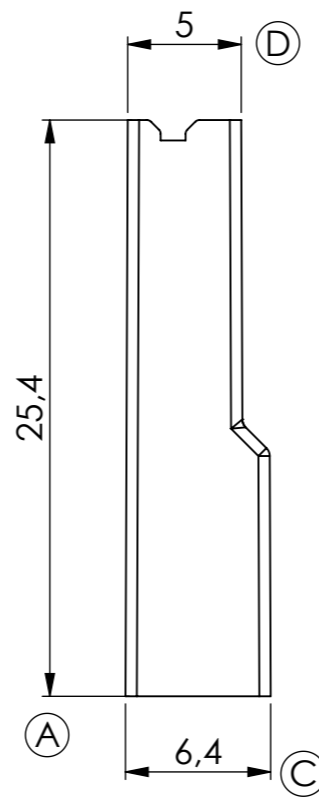
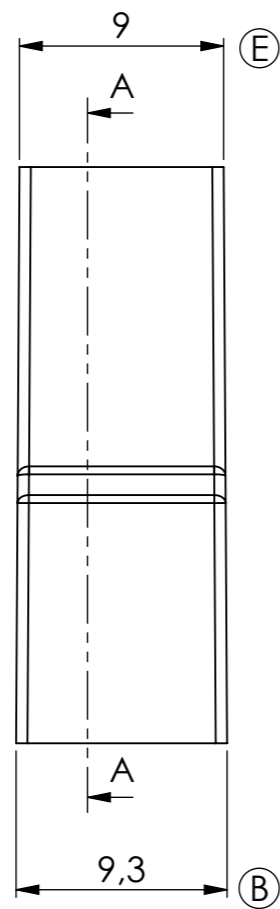
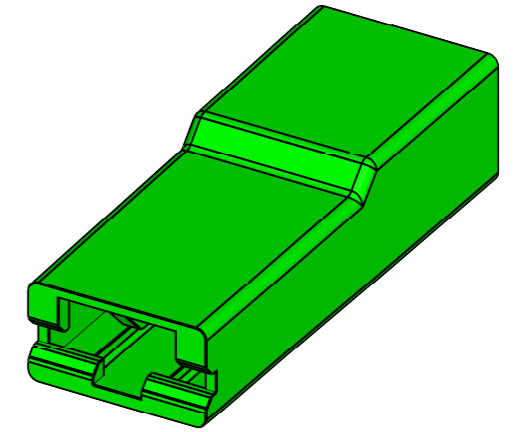
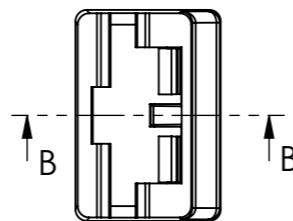


SECTION A-A



SECTION B-B



NOTES	
<b>SPECIFIC NOTES</b>	
1	Cavity Number
2	UP Logo

2631060	Natural	PA66V0 750NF	1	15	O.Roura	Actualización cotas	16/12/22			
2631055	Black	STANYL PA46		14	-	Añadir 2631060	22/10/15			
2631050	Natural	PANF		13	-	Añadir 2631050	05/05/15			
2631045	Black			12	-	Añadir 2631043	02/12/10			
2631043	Red	LATAMID V0		11	-	Añadir 2631045	27/05/10			
2631040	Natural			10	-	Añadir 2631012	02/02/09			
2631038	Orange			09	-	Añadir 2631040	17/10/05			
2631037	Brown			08	-	Ref. 2631055	13/09/05			
2631039	Violet			07	-	Mod. nervio, F y G	22/12/03			
2631038	Grey			06	-	Mod. nervio, F y G	09/06/03			
2631037	Brown			05	-	Añadir nervio central	21/02/01			
2631036	Blue			04	-	Añadir colores	04/04/00			
2631035	Black			03	-	Añadir cotas	24/02/00			
2631034	Green			02	-	Modif.	11/05/99			
2631033	Red	PA66V2		Part Num.	Finish	Material	Ways	Rev.	Name	Modification
2631032	Yellow			2631017	Brown	PA66V2	1	1	1	1
2631031	White			2631016	Blue					
2631030	Natural			2631015	Black					
2631017	Brown	2631013		Red						
2631016	Blue	2631012		Yellow						
2631015	Black	2631010	Natural							

			<b>STRAIGHT HOUSING</b> <b>6.3 Series</b>				
DRAWN	J.Manyer	28/07/94	MATERIAL STANDARD Special	DIMENSIONAL STANDARD Special	GENERAL TOLERANCES ±0,25	FORMAT	A3h
REVISED	F.Adamuz	28/07/94				DRAWING	PTC-c010
SCALE	3:1					REF.	26310xx