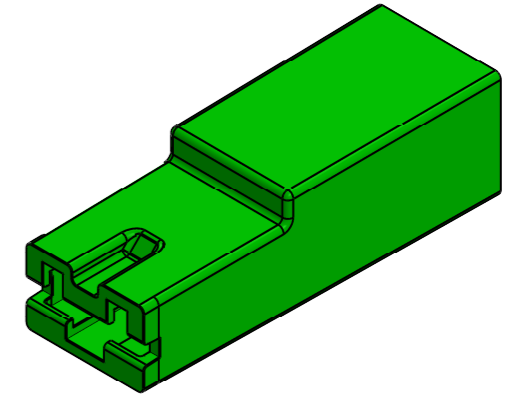


SECTION A-A

SECTION B-B



NOTES

GENERAL NOTES  
 SYMBOLS DEFINITION  
 (L) Control dimension

2481765	Black	PAV0NF	1W	07	O.Roura	Añ.ref.2481765	28/03/23
2481760	Natural	PAV0NF		06	M.Codina	Simp. vistas	17/05/21
2481750		PA46		05	-	Añ.ref.2481750	29/06/18
2481745	Black	PAV2NF		04	-	Añ.ref.2481743	26/06/18
2481743	Red	PAV2NF		03	-	Añ.ref.2481745	12/06/18
2481740	Natural	PAV2NF		02	-	Añ.ref.2481760	15/12/17
2481730		PAV0		01	-	Actualización	05/07/16
2481710		PAV2		00	VR	1ª Edición	03/02/16
Part Number	Finish	Material		Ways	Rev	Name	Modification



HOUSING FOR CONNECTOR  
 SERIES 4.8  
 TP-SEK3



DRAWN	VR	03/02/16	MATERIAL STANDARDS Special	DIMENSIONAL STANDARDS Special	GENERAL TOLERANCES ±0,2 ±2°	FORMAT	A3h
REVISED	XM	03/02/16				DRAWING	PTC-c733
SCALE	3:1					REF. 24817xx	