

2203210
MINI UP-LOK CONNECTORS



Description: 2 ways Male Connector

Part nr.

Color	Raw Material type	Flamability class	Drawing / version
Natural	PA66	V2	PT-C169/02

**Compatibility
(Terminals supported)**

Wire size (mm ²)	Male p/n.	Female p/n.
0.12 ÷ 0.50	7540.xx	8540.xx
0.50 ÷ 0.75	7542.xx	8542.xx
0.30 ÷ 0.90	7544.xx	8544.xx



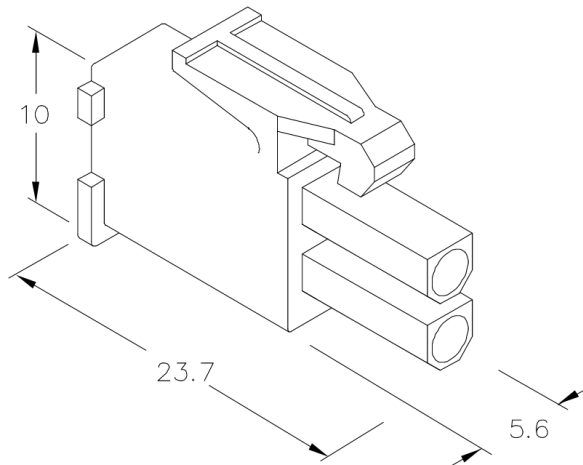
Mechanical properties terminal-connector for way

Insertion	Withdrawal ¹
20 N Max.	40 N Min.

**Mechanical properties
Combinability (matching connector)**

Matching connector p/n.	Polarization	Assembly	Extraction force	
			Without lock	With lock
2202210	Ways 1 & 2	22 N Max.	15 N Max.	50 N Min.

Drawing



¹ Primary lock

Disclaimer

Data obtained from Escubedo Laboratory essays, using own methodology, cablings, equipment and original crimping tools, done in laboratory conditions and following the indicated standards, errors and omissions excepted. This document has no contractual meaning and it is published only for informative purposes. It can be changed without prior notice. The end customer has the sole responsibility to check these characteristics in its environment and with its own components, manufacturing methods and equipment. See also the full range product overview if available. For further information please visit our web site or contact us

Rev. Nr.	Modification	Date	Created/Revised	Approved
1	Creation/Update	17/10/2014	D.Martinez/D.Martinez	Joan Carles Sanchez
2	Add matching connector efforts	24/10/2014	D.Martinez/E.Roura	Joan Carles Sanchez