

RS5413**-K

6.3 (.250) TYPE SERIES · RECEPTACLES

SELF-LOCKING RECEPTACLES. LOW INSERTION TERMINALS.



Specification RAST 5 Crimp Connect Connectors Self-locking

Ways 3

Thermal Characteristics

Part nr.	Raw material	Color	Flammability Class (UL 94)	Glow Wire Test (GWT) (IEC60695-2-11)	Glow Wire Flammability Index (IEC60695-2-12)	RTI electrical (Max. Operating Temp.)
RS541310-K	PA66V2	Natural	V2	(T.B.D.)	850°C	105°C
RS541330-K	PA66V0	Natural	V0	(T.B.D.)	960°C	140°C
RS541340-K	NO FLAME	Natural	V2	(T.B.D.)	960°C	130°C
RS541360-K	PAV0NF	Natural	V0	750°C	960°C	120°C

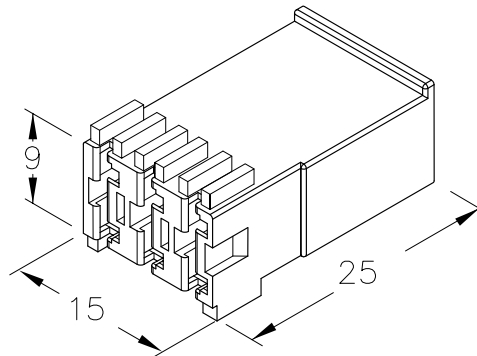
For other materials and colors ask to: info@escubedo.com

Compatible terminals 4935.**, 4935S**, 4937.**, 4937S**, 4939.**, 4939S**, 4941.**, 4941S**, 4943.**, 4943S**

Insertion / Withdrawal forces

	RS541310-K / 30 / 40 / 60
1st Insertion (max, connector-receptacle)	25N
1st Withdrawal (min, connector-receptacle)	60N

Drawing



(T.B.D.): To be determined

Disclaimer

Data obtained from Escubedo Laboratory essays, using own methodology, cablings, equipment and original crimping tools, done in laboratory conditions and following the indicated standards, errors and omissions excepted. This document has no contractual meaning and it is publicised only for informative purposes. It can be changed without prior notice. The end customer has the sole responsibility to check these characteristics in its environment and with its own components, manufacturing methods and equipment. See also the full range product overview if available. For further information please visit our web site or contact us

Rev. Nr.	Concept	Date	Created/Revised	Approved
A5	Update GWT for reference RS541360-K	2023-02-06	O.Roura (Engineering Dept.)	O.Roura (Engineering Dept.)
A4	Add new raw material (60)	2022-05-26	E. Roura (Laboratory Dept.)	O. Roura (Engineering Dept.)
A3	Change company name and logo	2021-10-21	Laboratory Dept.	E. Roura
A2	Correction - Insertion / Withdrawal test forces description	2019-02-15	Laboratory Dept.	E. Roura
A1	Datasheet generated automatically [A1]	2019-02-08	Laboratory Dept.	E. Roura