

R5642**-K RAST 5 TERMINALS AND CONNECTORS · MALE CONNECTORS



Specification Male RAST 5 Crimp Connect Connectors

Thermal Characteristics

Part nr.	Raw material	Color	Flammability Class (UL 94)	Glow Wire Test (GWT) (IEC60695-2-11)	Glow Wire Flammability Index (IEC60695-2-12)	RTI electrical (Max. Operating Temp.)
R564210-K	PA66V2	Natural	V2	(T.B.D.)	850°C	105°C
R564230-K	PA66V0	Natural	V0	(T.B.D.)	960°C	140°C
R564240-K	NO FLAME	Natural	V2	(T.B.D.)	960°C	130°C
R564270-K	PPV2 NF	Natural	(T.B.D.)	(T.B.D.)	(T.B.D.)	(T.B.D.)

For other materials and colors ask to: info@escubedo.com

Compatible terminals 6421.**, 6423.**, 6424.**, 6425.**, 6426.**, 6427.**, 6432.**, 6434.**, 6438.**, 6440.**

Approved regulations

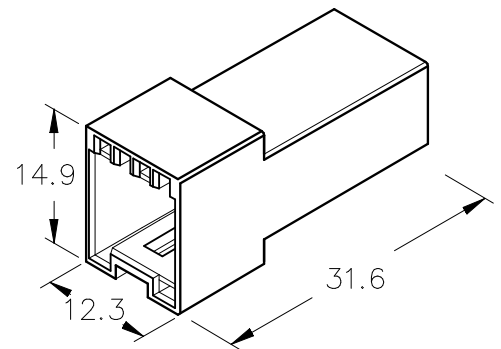
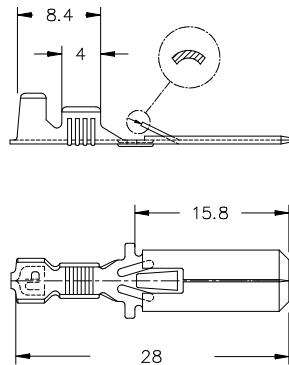
Part nr.	Approval	Standard	File	Certified framework
R564210-K	UL	UL 1977	E245592	V2 / RTI Elec., Max. Operating Temp, 65°C
R564230-K	UL	UL 1977	E245592	V0 / RTI Elec., Max. Operating Temp, 140°C
R564240-K ¹	UL	UL 1977	E245592	V2 / RTI Elec., Max. Operating Temp, 105°C

¹ Cat. No. meets with the standard UL1977 as a component of UP-RAST5 full connection system
6425.02 / 4121F02 - AWG 22 STR - 600V/5A (USR, CND)
6427.02/6434.02 / 4120.02/4123.02 - AWG 18 STR - 600V/(12A USR|10A CNR)

Approvals



Drawing



(T.B.D.): To be determined

Disclaimer

Data obtained from Escubedo Laboratory essays, using own methodology, cabling, equipment and original crimping tools, done in laboratory conditions and following the indicated standards, errors and omissions excepted. This document has no contractual meaning and it is publicised only for informative purposes. It can be changed without prior notice. The end customer has the sole responsibility to check these characteristics in its environment and with its own components, manufacturing methods and equipment. See also the full range product overview if available. For further information please visit our web site or contact us

Rev. Nr.	Concept	Date	Created/Revised	Approved
A1	Datasheet generated automatically [A1]	2022-09-22	E.Roura (Laboratory dept.)	M.Codina (Engineering dept.)