

R5532**-K RAST 5 TERMINALS AND CONNECTORS · FLAGS FOR CONNECTOR



Specification Flag Holder RAST 5 Crimp Connect Connectors

Ways 2

Thermal Characteristics

Part nr.	Raw material	Color	Flammability Class (UL 94)	Glow Wire Test (GWT) (IEC60695-2-11)	Glow Wire Flammability Index (IEC60695-2-12)	RTI electrical (Max. Operating Temp.)
R553210-K	PA66V2	Natural	V2	(T.B.D.)	850°C	105°C
R553230-K	PA66V0	Natural	V0	(T.B.D.)	960°C	140°C
R553240-K	NO FLAME	Natural	V2	(T.B.D.)	960°C	130°C
R553260-K	PAV0NF	Natural	V0	750°C	960°C	120°C
R553270-K	PPV2 NF	Natural	(T.B.D.)	(T.B.D.)	(T.B.D.)	(T.B.D.)

For other materials and colors ask to: info@escubedo.com

Compatible terminals 5332.**, 5332F**, 5333.**, 5333F**, 5334.**, 5335.**, 5336.**

Insertion / Withdrawal forces

	R553210-K / 30 / 40 / 60 / 70
Terminal into connector cavity. Insertion force (max)	12N
Terminal from connector cavity - only primary lock. Withdrawal force (min)	50N
Terminal from connector cavity - primary + secondary lock. Withdrawal force (min)	50N

Counterpart R5692**-K; R5642**-K

Approved regulations

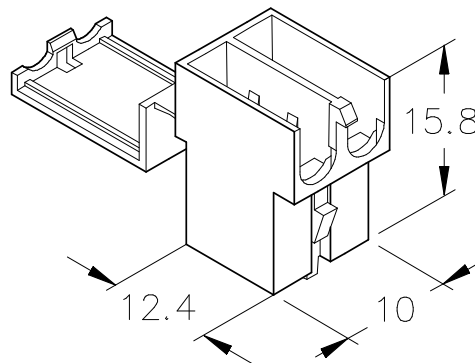
Part nr.	Approval	Standard	File	Certified framework
R553210-K ¹	UL	UL 1977	E245592	V2 / RTI Elec., Max. Operating Temp, 65°C
R553230-K ¹	UL	UL 1977	E245592	V0 / RTI Elec., Max. Operating Temp, 110°C
R553240-K ¹	UL	UL 1977	E245592	V2 / RTI Elec., Max. Operating Temp, 105°C
R553260-K ¹	UL	UL 1977	E245592	V0 / RTI Elec., Max. Operating Temp, 120°C

¹ Cat. No. meets with the standard UL1977 as a component of UP-RAST5 full connection system
5332.**; 5333.** - 12A/600V (USR, CND)
5334.**; 5335.** - 15A/600V (USR, CND)

Approvals



Drawing



R5532**-K

RAST 5 TERMINALS AND CONNECTORS · FLAGS FOR CONNECTOR



(T.B.D.): To be determined

Disclaimer

Data obtained from Escubedo Laboratory essays, using own methodology, cablings, equipment and original crimping tools, done in laboratory conditions and following the indicated standards, errors and omissions excepted. This document has no contractual meaning and it is publicised only for informative purposes. It can be changed without prior notice. The end customer has the sole responsibility to check these characteristics in its environment and with its own components, manufacturing methods and equipment. See also the full range product overview if available. For further information please visit our web site or contact us

Rev. Nr.	Concept	Date	Created/Revised	Approved
A4	Change company name and logo	2021-10-21	M. Codina (Engineering Dept.)	E. Roura (Laboratory Dept.)
A3	Update material R553260-k	2021-02-01	M. Codina (Engineering Dept.)	E. Roura (Laboratory Dept.)
A2	Compatible terminals updated	2020-05-18	M.Codina (Engineering dept.)	M.Codina (Engineering dept.)
A1	Datasheet generated automatically [A1]	2020-02-26	E. Roura (Laboratory dept.)	M. Codina (Engineering dept.)

Escubedo Connection Systems, S.A.U. · Ctra. de Girona-Olot Km. 35,5 · 17843 Riudellots de la Creu · Girona · Spain
 Tel.: 34 972 171 706 · Fax: +34 972 171 714 · info@escubedo.com · www.escubedo.com