

P5495**

6.3 (.250) TYPE SERIES · RECEPTACLES

SELF-LOCKING RECEPTACLES. LOW INSERTION TERMINALS.



Specification Receptacle Connectors

Ways 5

Thermal Characteristics

Part nr.	Raw material	Color	Flammability Class (UL 94)	Glow Wire Test (GWT) (IEC60695-2-11)	Glow Wire Flammability Index (IEC60695-2-12)	RTI electrical (Max. Operating Temp.)
P549510	PA66V2	Natural	V2	(T.B.D.)	850°C	105°C

For other materials and colors ask to: info@escubedo.com

Max. rated voltage 600V

Compatible terminals 4920.**, 4921.**, 4922.**, 4924.**

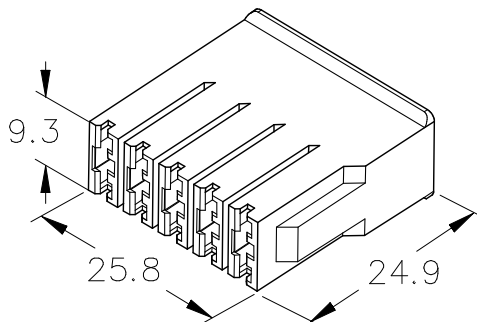
Approved regulations

Part nr.	Approval	Standard	File	Certified framework
P549510	UL	UL 1977	E245592	V2 / RTI Elec., Max. Operating Temp, 65°C

Approvals



Drawing



(T.B.D.): To be determined

Disclaimer

Data obtained from Escubedo Laboratory essays, using own methodology, cablings, equipment and original crimping tools, done in laboratory conditions and following the indicated standards, errors and omissions excepted. This document has no contractual meaning and it is publicised only for informative purposes. It can be changed without prior notice. The end customer has the sole responsibility to check these characteristics in its environment and with its own components, manufacturing methods and equipment. See also the full range product overview if available. For further information please visit our web site or contact us

Rev. Nr.	Concept	Date	Created/Revised	Approved
A2	Update voltage rated	2022-01-14	Laboratory Dept.	E. Roura (Laboratory Dept.)
A1	Datasheet generated automatically [A1]	2022-01-03	Laboratory Dept.	E. Roura (Laboratory Dept.)

Escubedo Connection Systems, S.A.U. · Ctra. de Girona-Olot Km. 35,5 · 17843 Riudellots de la Creu · Girona · Spain
 Tel.: 34 972 171 706 · Fax: +34 972 171 714 · info@escubedo.com · www.escubedo.com