

9820.** PLANE TABS · MALES



Specification	6.3 mm Male
Typology	PCB 6.3 mm Male on reel
Description	Valid datasheet for versions in bulk, identified by prefix '1'.
Ø (mm)	1,65

Materials, temperature and contact resistance

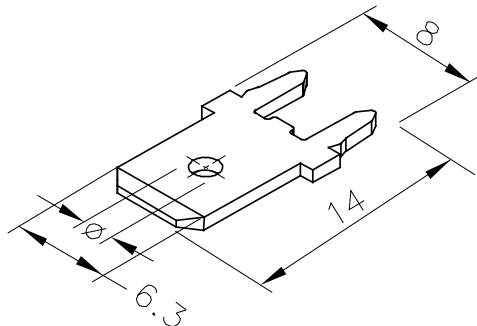
Part nr.	Material	Finishing	Max. Temp. (°C)
9820.00	Brass	Natural	110
9820.02	Brass	Tin plated	120

Material thickness (mm) 0,8

Approvals



Drawing



Disclaimer

Data obtained from Escubedo Laboratory essays, using own methodology, cablings, equipment and original crimping tools, done in laboratory conditions and following the indicated standards, errors and omissions excepted. This document has no contractual meaning and it is publicised only for informative purposes. It can be changed without prior notice. The end customer has the sole responsibility to check these characteristics in its environment and with its own components, manufacturing methods and equipment. See also the full range product overview if available. For further information please visit our web site or contact us

Rev. Nr.	Concept	Date	Created/Revised	Approved
A3	Add Description	2024-01-17	D. Yabar (Engineering Dept.)	E. Roura (Laboratory Dept.)
A2	Change company name and logo	2021-10-21	Laboratory Dept.	E. Roura
A1	Datasheet generated automatically [A1]	2018-11-29	Laboratory Dept.	E. Roura