



9312.**
1.5 (.060) TYPE SERIES · MALES FOR CONNECTOR



Specification Unimaterial Power Terminal

Tongue thickness (mm) 1.6x0.6

Wire size mm² (AWG) 0,5-1 (20-18)

Ø Insulation (mm) 1,4-2,1

Materials, temperature and contact resistance

Part nr.	Material	Finishing	Max. Temp. (°C)
9312.31	Bronze	Pre-tin-plated	130
9312.51	Cu. Alloy	Pre-tin-plated	150



Material thickness (mm) 0,32

Max. rated current

Wire section	9312.31 / 51
0.50 mm ²	6A
0.75 mm ²	8A
1.00 mm ²	8A

Application tool MN9312

Crimping parameters & pull out force

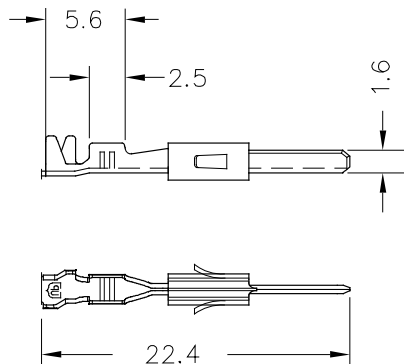
Wire section (±10%)	Conductor 		Insulator 	Pull-out force (N)
	Height (mm)	Width (mm)	Width (mm)	
0.50 mm ²	1.20 (±0.03)	2.03 (±0.03)	2.35 (±0.10)	56N @ 60s
0.75 mm ²	1.30 (±0.05)	2.04 (±0.05)	2.45 (±0.10)	84N @ 60s
1.00 mm ²	1.40 (±0.05)	2.05 (±0.05)	2.51 (±0.10)	108N @ 60s

Values only valid for the application tool specified upwards. The insulator widths are only indicative as they are dependent on the sheath thickness of the wire used.

Approvals



Drawing





9312.**

1.5 (.060) TYPE SERIES · MALES FOR CONNECTOR



Disclaimer

Data obtained from Escubedo Laboratory essays, using own methodology, cablings, equipment and original crimping tools, done in laboratory conditions and following the indicated standards, errors and omissions excepted. This document has no contractual meaning and it is publicised only for informative purposes. It can be changed without prior notice. The end customer has the sole responsibility to check these characteristics in its environment and with its own components, manufacturing methods and equipment. See also the full range product overview if available. For further information please visit our web site or contact us

Rev. Nr.	Concept	Date	Created/Revised	Approved
A1	Datasheet created automatically [A1]	2019-09-20	E. Roura (Laboratory Dept.)	M. Codina (Engineering Dept.)
<small>Especialitats Elèctriques Escubedo S.A.U. · Ctra. de Girona-Olot Km. 35,5 · 17843 Riudellots de la Creu · Girona · Spain Tel.: 34 972 171 706 · Fax: +34 972 171 714 · info@escubedo.com · www.escubedo.com</small>				