

## 8541.\*\* CYLINDRICAL TERMINALS · RECEPTACLES



**Specification** Standard Terminals

**Ø (mm)** 0,75

**Wire size mm<sup>2</sup> (AWG)** 0,12-0,5 (26-20)

**Ø Insulation (mm)** 1,2-1,75

**Materials, temperature and contact resistance**


Part nr.	Material	Finishing	Max. Temp. (°C)
8541.01	Brass	Pre-tin-plated	120

**Material thickness (mm)** 0,2

**Application tool** MN7540

**Wire strip length** 2.5 (±0.3) mm

**Crimping parameters & pull out force**

Wire section (±10%)	Conductor 		Insulator	Pull-out force (N)
	Height (mm)	Width (mm)	Width (mm)	
0.12 mm <sup>2</sup>	0.70 (±0.03)	1.42 (±0.03)	1.88 (±0.10)	≥ 20N
0.20 mm <sup>2</sup>	0.75 (±0.03)	1.43 (±0.03)	1.89 (±0.10)	28N @ 60s
0.35 mm <sup>2</sup>	0.80 (±0.03)	1.44 (±0.03)	1.90 (±0.10)	40N @ 60s
0.50 mm <sup>2</sup>	0.90 (±0.03)	1.45 (±0.03)	1.92 (±0.10)	56N @ 60s

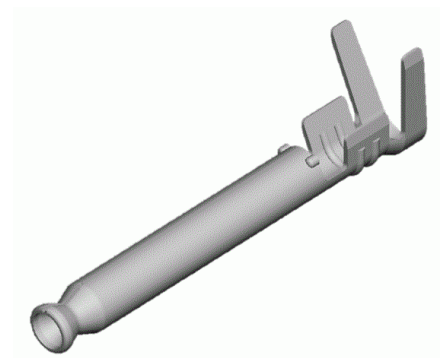
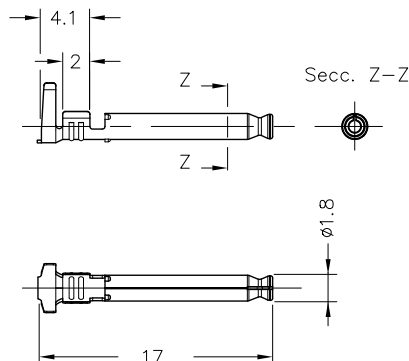
Values only valid for the application tool specified upwards. The insulator widths are only indicative as they are dependent on the sheath thickness of the wire used.

**Winding number** 8000

**Approvals**



**Drawing**



**8541.\*\*****CYLINDRICAL TERMINALS · RECEPTACLES****Disclaimer**

Data obtained from Escubedo Laboratory essays, using own methodology, cablings, equipment and original crimping tools, done in laboratory conditions and following the indicated standards, errors and omissions excepted. This document has no contractual meaning and it is publicised only for informative purposes. It can be changed without prior notice. The end customer has the sole responsibility to check these characteristics in its environment and with its own components, manufacturing methods and equipment. See also the full range product overview if available. For further information please visit our web site or contact us

Rev. Nr.	Concept	Date	Created/Revised	Approved
A2	Change company name and logo	2021-10-21	Laboratory Dept.	E. Roura
A1	Datasheet generated automatically [A1]	2018-10-04	Laboratory Dept.	E. Roura

Escubedo Connection Systems, S.A.U. · Ctra. de Girona-Olot Km. 35,5 · 17843 Riudellots de la Creu · Girona · Spain  
Tel.: 34 972 171 706 · Fax: +34 972 171 714 · [info@escubedo.com](mailto:info@escubedo.com) · [www.escubedo.com](http://www.escubedo.com)