

## 5704.\*\*

### 2.8 (.110) TYPE SERIES · FLAGS

SELF-LOCKING RECEPTACLES. LOW INSERTION TERMINALS.



**Specification** Flags

**For male (mm)** 2,8x0,5

**Wire size mm<sup>2</sup> (AWG)** 0,2-0,6 (24-20)

**Ø Insulation (mm)** 1,1-2,1

**Materials, temperature and contact resistance**

Part nr.	Material	Finishing	Max. Temp. (°C)
5704.00	Brass	Natural	110
5704.01	Brass	Pre-tin-plated	120
5704.24	Steel	Nickel-plated	300

**Material thickness (mm)** 0,3

**Insertion / Withdrawal forces**



	5704.00 / 01 / 24
1st Insertion (max)	20N <sup>1</sup>
1st Withdrawal (max)	20N <sup>1</sup>
1st Withdrawal (min, locking enabled)	50N <sup>1</sup>

<sup>1</sup> Valid for Natural Brass Tab

**Security function**

Self-locking function prevents disconnection by pulling the cable. Disconnection is possible disabling the locking function, pressing the lever manually or sliding the connector (see withdrawal forces). It allows several connections-disconnections maintaining the functional features.

**Crimping parameters & pull out force**

Wire section (±10%)	Conductor 		Insulator 	Pull-out force (N)
	Height (mm)	Width (mm)	Width (mm)	
0.20 mm <sup>2</sup>	0.95 (±0.03)	1.75 (±0.03)	2.44 (±0.10)	28N @ 60s
0.25 mm <sup>2</sup>	1.00 (±0.03)	1.75 (±0.03)	2.45 (±0.10)	28N @ 60s
0.35 mm <sup>2</sup>	1.05 (±0.03)	1.76 (±0.03)	2.45 (±0.10)	40N @ 60s
0.50 mm <sup>2</sup>	1.10 (±0.03)	1.77 (±0.03)	2.46 (±0.10)	56N @ 60s
22 AWG	1.00	1.77	2.45	36N @ 60s
24 AWG	0.95	1.76	2.50	22,3N @ 60s

Values only valid for the application tool specified upwards. The insulator widths are only indicative as they are dependent on the sheath thickness of the wire used.

**Winding number** 5500

**Approvals**



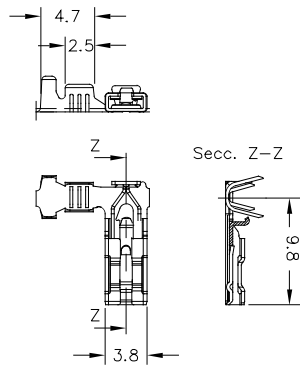
## 5704.\*\*

### 2.8 (.110) TYPE SERIES · FLAGS

SELF-LOCKING RECEPTACLES. LOW INSERTION TERMINALS.



**Drawing**



**Disclaimer**

Data obtained from Escubedo Laboratory essays, using own methodology, cablings, equipment and original crimping tools, done in laboratory conditions and following the indicated standards, errors and omissions excepted. This document has no contractual meaning and it is publicised only for informative purposes. It can be changed without prior notice. The end customer has the sole responsibility to check these characteristics in its environment and with its own components, manufacturing methods and equipment. See also the full range product overview if available. For further information please visit our web site or contact us

Rev. Nr.	Concept	Date	Created/Revised	Approved
A3	Change company name and logo	2021-10-21	Laboratory Dept.	E. Roura
A2	Correction - Subtitle of the datasheet	2019-03-21	Laboratory Dept.	E. Roura
A1	Datasheet generated automatically [A1]	2019-01-31	Laboratory Dept.	E. Roura

Escubedo Connection Systems, S.A.U. · Ctra. de Girona-Olot Km. 35,5 · 17843 Riudellots de la Creu · Girona · Spain  
 Tel.: 34 972 171 706 · Fax: +34 972 171 714 · [info@escubedo.com](mailto:info@escubedo.com) · [www.escubedo.com](http://www.escubedo.com)