

5408D** 2.8 (.110) TYPE SERIES · FLAGS



Specification Low insertion

Typology For DIN tab terminals

For male (mm) 2,8x0,5

Wire size mm² (AWG) 0,5-1 (20-18)

Ø Insulation (mm) 1,8-2,5

Materials, temperature and contact resistance

Part nr.	Material	Finishing	Max. Temp. (°C)
5408D00	Brass	Natural	110
5408D01	Brass	Pre-tin-plated	120
5408D30	Bronze	Natural	120
5408D31	Bronze	Pre-tin-plated	130

Material thickness (mm) 0,3

Max. rated current

Wire section	5408D00 / 01 / 30 / 31
0.50 mm ²	6A
0.75 mm ²	8A
1.00 mm ²	8A

Insertion / Withdrawal forces


	5408D00 / 01 / 30 / 31
1st Insertion (max)	20N ¹
1st Withdrawal (max)	40N ¹
1st Withdrawal (min)	13N ¹
6th Withdrawal (min)	9N ¹

¹ Valid for Natural Brass Tab

Application tool MN5408

Wire strip length 5.0 (±0.5) mm

Crimping parameters & pull out force

Wire section (±10%)	Conductor 		Insulator	Pull-out force (N)
	Height (mm)	Width (mm)	Width (mm)	
0.50 mm ²	1.20 (±0.03)	2.05 (±0.03)	2.83 (±0.10)	56N @ 60s
0.75 mm ²	1.30 (±0.05)	2.06 (±0.05)	2.86 (±0.10)	84N @ 60s
1.00 mm ²	1.40 (±0.05)	2.07 (±0.05)	2.91 (±0.10)	108N @ 60s

Values only valid for the application tool specified upwards. The insulator widths are only indicative as they are dependent on the sheath thickness of the wire used.

Winding number 10000

Compatible connectors 22832**, 22833**

Approved regulations

Part nr.	Approval	Standard	File	Certified framework
5408D00	UL	UL 310	E211727	AWG 20-18 (10-16 Stranded Cu) / MN5408
5408D01	UL	UL 310	E211727	AWG 20-18 (10-16 Stranded Cu) / MN5408

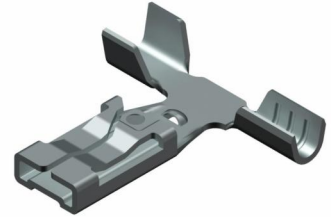
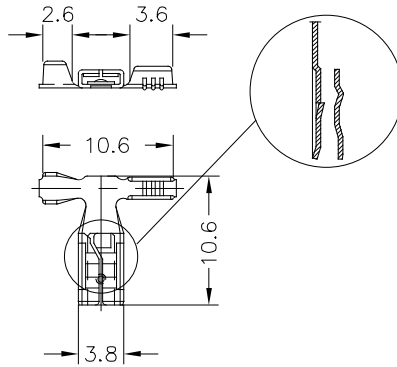
5408D** 2.8 (.110) TYPE SERIES · FLAGS



Approvals



Drawing



Disclaimer

Data obtained from Escubedo Laboratory essays, using own methodology, cablings, equipment and original crimping tools, done in laboratory conditions and following the indicated standards, errors and omissions excepted. This document has no contractual meaning and it is publiscised only for informative purposes. It can be changed without prior notice. The end customer has the sole responsibility to check these characteristics in its environment and with its own components, manufacturing methods and equipment. See also the full range product overview if available. For further information please visit our web site or contact us

Rev. Nr.	Concept	Date	Created/Revised	Approved
A2	Change company name and logo	2021-10-21	E.Roura (laboratory dept.)	M.Codina (engineering dept.)
A1	Datasheet generated automatically [A1]	2021-04-09	E.Roura (laboratory dept.)	M.Codina (engineering dept.)

Escubedo Connection Systems, S.A.U. · Ctra. de Girona-Olot Km. 35,5 · 17843 Riudellots de la Creu · Girona · Spain
Tel.: 34 972 171 706 · Fax: +34 972 171 714 · info@escubedo.com · www.escubedo.com