

4900.** 2.8 (.110) TYPE SERIES · RECEPTACLES



Specification MIni side-feed low insertion receptacle

Typology Locking

For male (mm) 2,8x0,5

Wire size mm² (AWG) 0,2-0,5 (24-20)

Ø Insulation (mm) 1,8 Max

Materials, temperature and contact resistance

Part nr.	Material	Finishing	Max. Temp. (°C)
4900.00	Brass	Natural	110
4900.01	Brass	Pre-tin-plated	120
4900.30	Bronze	Natural	120
4900.31	Bronze	Pre-tin-plated	130

Material thickness (mm) 0,3

Max. rated current

Wire section	4900.00 / 01 / 30 / 31
0.20 mm ²	(T.B.D.)
0.35 mm ²	(T.B.D.)
0.50 mm ²	6A

Insertion / Withdrawal forces


	4900.00 / 01 / 30 / 31
1st Insertion (max)	20N ¹
1st Withdrawal (min, locking enabled)	40N ¹

¹ Valid for Natural Brass Tab

Application tool MN4900

Wire strip length 3.0 (±0.2) mm

Crimping parameters & pull out force

Wire section (±10%)	Conductor 		Insulator	Pull-out force (N)
	Height (mm)	Width (mm)		
0.20 mm ²	0.95 (±0.03)	1.69 (±0.03)	2.45 (±0.10)	28N @ 60s
0.35 mm ²	1.02 (±0.03)	1.69 (±0.03)	2.45 (±0.10)	40N @ 60s
0.50 mm ²	1.09 (±0.03)	1.70 (±0.03)	2.45 (±0.10)	56N @ 60s

Values only valid for the application tool specified upwards. The insulator widths are only indicative as they are dependent on the sheath thickness of the wire used.

Winding number 8000

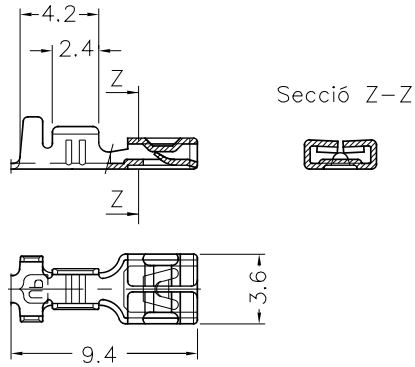
Approvals



4900.** 2.8 (.110) TYPE SERIES · RECEPTACLES



Drawing



(T.B.D.): To be determined

Disclaimer

Data obtained from Escubedo Laboratory essays, using own methodology, cablings, equipment and original crimping tools, done in laboratory conditions and following the indicated standards, errors and omissions excepted. This document has no contractual meaning and it is publicised only for informative purposes. It can be changed without prior notice. The end customer has the sole responsibility to check these characteristics in its environment and with its own components, manufacturing methods and equipment. See also the full range product overview if available. For further information please visit our web site or contact us

Rev. Nr.	Concept	Date	Created/Revised	Approved
A4	Change company name and logo	2021-10-21	E.Roura (laboratory dept.)	M.Codina (engineering dept.)
A3	Wire strip length	2020-11-18	E.Roura (laboratory dept.)	M.Codina (engineering dept.)
A2	Update terminal materials	2019-01-18	Laboratory Dept.	E. Roura
A1	Datasheet generated automatically [A1]	2018-07-13	Laboratory Dept.	E. Roura

Escubedo Connection Systems, S.A.U. · Ctra. de Girona-Olot Km. 35,5 · 17843 Riudellots de la Creu · Girona · Spain
 Tel.: 34 972 171 706 · Fax: +34 972 171 714 · info@escubedo.com · www.escubedo.com