



**4817.\*\***  
**4.8 (.187) TYPE SERIES · RECEPTACLES**



**Specification** Low insertion

**For male (mm)** 4,8x0,5

**Wire size mm<sup>2</sup> (AWG)** 1-2,5 (18-14)

**Ø Insulation (mm)** 3-4,3

**Materials, temperature and contact resistance**

Part nr.	Material	Finishing	Max. Temp. (°C)	Contact Resist (mΩ)
4817.00	Brass	Natural	110	0.95
4817.01	Brass	Pre-tin-plated	120	0.70
4817.24	Steel	Nickel-plated	300	(T.B.D.)
4817.30	Bronze	Natural	120	(T.B.D.)
4817.31	Bronze	Pre-tin-plated	130	(T.B.D.)
4817.70	German Silver	Natural	210	(T.B.D.)

**Material thickness (mm)** 0,35

**Max. rated current**

Wire section	4817.00 / 01 / 24 / 30 / 31 / 70
1.00 mm <sup>2</sup>	12A
1.50 mm <sup>2</sup>	16A
2.50 mm <sup>2</sup>	20A

**Insertion / Withdrawal forces**

	4817.00 / 01 / 24 / 30 / 31 / 70
1st Insertion (max)	25N <sup>1</sup>
1st Withdrawal (max)	50N <sup>1</sup>
1st Withdrawal (min)	22N <sup>1</sup>
6th Withdrawal (min)	13N <sup>1</sup>

<sup>1</sup> Valid for Natural Brass Tab

**Application tool** MN4819

**Wire strip length** 4.4 (±0.5) mm

**Crimping parameters & pull out force**

Wire section (±10%)	Conductor		Insulator	Pull-out force (N)
	Height (mm)	Width (mm)		
1.00 mm <sup>2</sup>	1.40 (±0.05)	3.03 (±0.05)	4.11 (±0.10)	108N @ 60s
1.50 mm <sup>2</sup>	1.50 (±0.05)	3.04 (±0.05)	4.12 (±0.10)	150N @ 60s
2.00 mm <sup>2</sup>	1.65 (±0.05)	3.06 (±0.05)	4.13 (±0.10)	150N @ 60s
2.50 mm <sup>2</sup>	1.80 (±0.05)	3.08 (±0.05)	4.14 (±0.10)	230N @ 60s

Values only valid for the application tool specified upwards. The insulator widths are only indicative as they are dependent on the sheath thickness of the wire used.

**Winding number** 10000

**Compatible connectors** 24814\*\*

**Approved regulations**

Part nr.	Approval	Standard	File	Certified framework
4817.00	UL	UL 310	E211727	AWG 18-14 (16-41 Stranded Cu) / MN4817
4817.01	UL	UL 310	E211727	AWG 18-14 (16-41 Stranded Cu) / MN4817
4817.24	UL	UL 310	E211727	AWG 18-18 (16-16 Stranded Cu) / MN4817



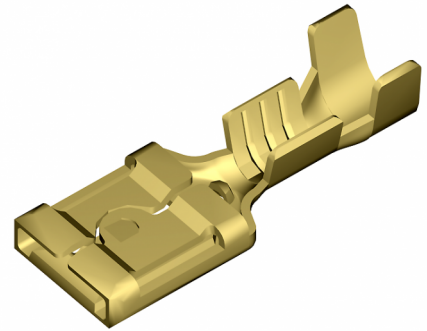
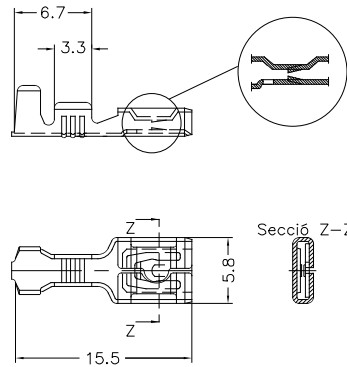
**4817.\*\***  
**4.8 (.187) TYPE SERIES · RECEPTACLES**



**Approvals**



**Drawing**



(T.B.D.): To be determined

**Disclaimer**

Data obtained from Escubedo Laboratory essays, using own methodology, cablings, equipment and original crimping tools, done in laboratory conditions and following the indicated standards, errors and omissions excepted. This document has no contractual meaning and it is publicised only for informative purposes. It can be changed without prior notice. The end customer has the sole responsibility to check these characteristics in its environment and with its own components, manufacturing methods and equipment. See also the full range product overview if available. For further information please visit our web site or contact us

Rev. Nr.	Concept	Date	Created/Revised	Approved
A1	Datasheet generated automatically [A1]	2019-02-27	Lab. Dept.	E. Roura

Especialitats Elèctriques Escubedo S.A.U. · Ctra. de Girona-Olot Km. 35,5 · 17843 Riudellots de la Creu · Girona · Spain  
Tel.: 34 972 171 706 · Fax: +34 972 171 714 · [info@escubedo.com](mailto:info@escubedo.com) · [www.escubedo.com](http://www.escubedo.com)