

## 4815.\*\* 4.8 (.187) TYPE SERIES · RECEPTACLES



**Specification** Low insertion

**For male (mm)** 4,8x0,8

**Wire size mm<sup>2</sup> (AWG)** 0,5-1 (20-18)

**Ø Insulation (mm)** 1,8-2,5

**Materials, temperature and contact resistance**

Part nr.	Material	Finishing	Max. Temp. (°C)	Contact Resist (mΩ)
4815.00	Brass	Natural	110	0.85
4815.01	Brass	Pre-tin-plated	120	0.65
4815.24	Steel	Nickel-plated	300	1.25
4815.30	Bronze	Natural	120	(T.B.D.)
4815.31	Bronze	Pre-tin-plated	130	(T.B.D.)

**Material thickness (mm)** 0,35

**Max. rated current**

Wire section	4815.00 / 01 / 24 / 30 / 31
0.50 mm <sup>2</sup>	8A
0.75 mm <sup>2</sup>	10A
1.00 mm <sup>2</sup>	12A

**Insertion / Withdrawal forces**

	4815.00 / 01 / 24 / 30 / 31
1st Insertion (max)	25N <sup>1</sup>
1st Withdrawal (max)	50N <sup>1</sup>
1st Withdrawal (min)	22N <sup>1</sup>
6th Withdrawal (min)	13N <sup>1</sup>

<sup>1</sup> Valid for Natural Brass Tab

**Application tool** MN4815

**Wire strip length** 4.4 (±0.5) mm

**Crimping parameters & pull out force**

Wire section (±10%)	Conductor		Insulator	Pull-out force (N)
	Height (mm)	Width (mm)	Width (mm)	
0.50 mm <sup>2</sup>	1.30 (±0.03)	2.11 (±0.03)	3.08 (±0.10)	56N @ 60s
0.75 mm <sup>2</sup>	1.40 (±0.05)	2.12 (±0.05)	3.09 (±0.10)	84N @ 60s
1.00 mm <sup>2</sup>	1.50 (±0.05)	2.13 (±0.05)	3.12 (±0.10)	108N @ 60s

Values only valid for the application tool specified upwards. The insulator widths are only indicative as they are dependent on the sheath thickness of the wire used.

**Winding number** 10000

**Compatible connectors** 24814\*\*

**Approved regulations**

Part nr.	Approval	Standard	File	Certified framework
4815.00	UL	UL 310	E211727	AWG 20-18 (10-16 Stranded Cu) / MN4815
4815.01	UL	UL 310	E211727	AWG 20-18 (10-16 Stranded Cu) / MN4815
4815.24	UL	UL 310	E211727	AWG 20-18 (10-16 Stranded Cu) / MN4815

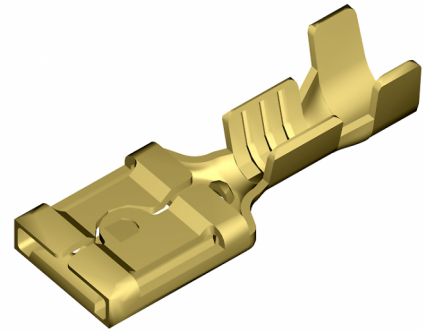
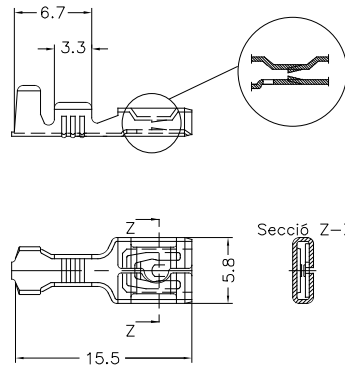
**4815.\*\***  
**4.8 (.187) TYPE SERIES · RECEPTACLES**



**Approvals**



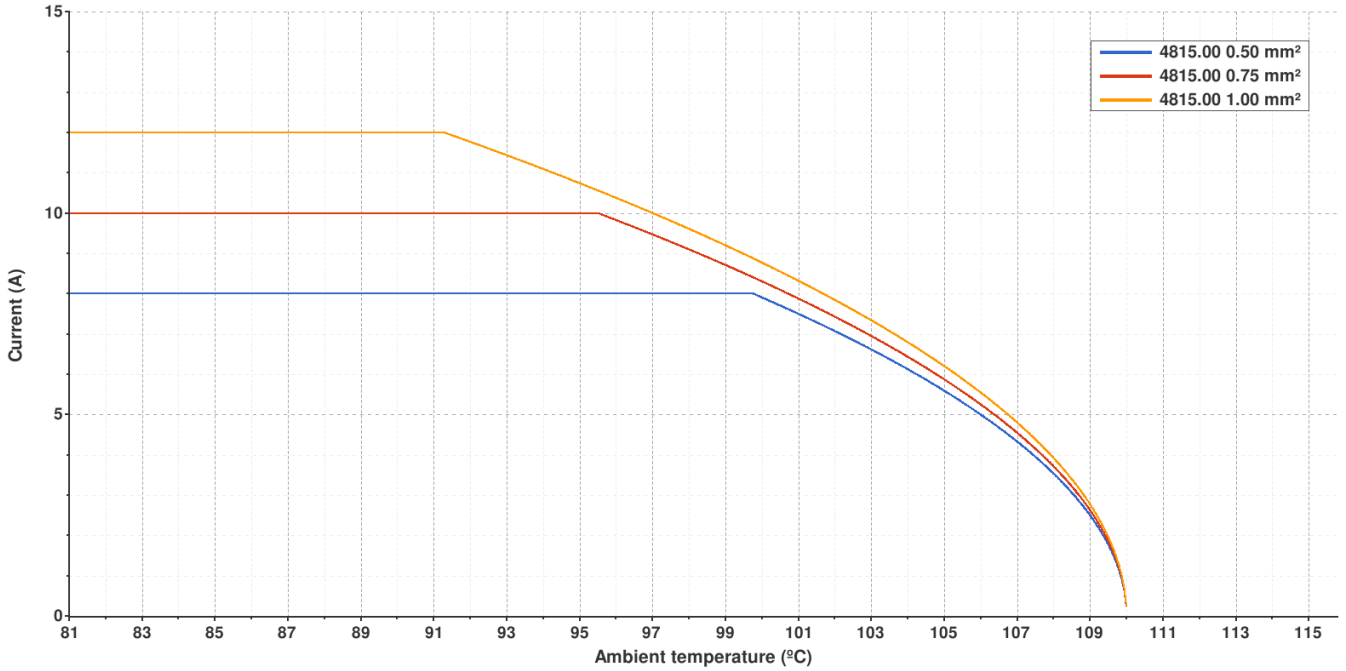
**Drawing**



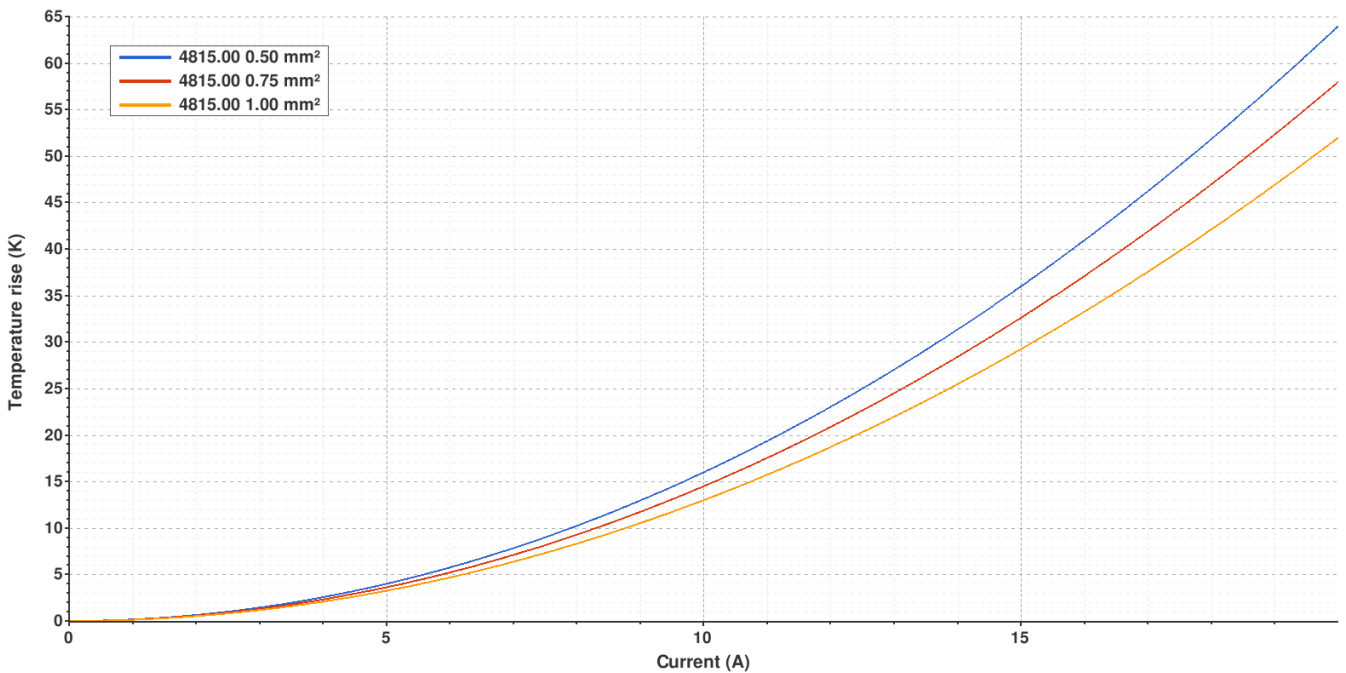
**4815.00 NATURAL BRASS**  
**4.8 (.187) TYPE SERIES · RECEPTACLES**



**Derating curve** Current carrying capacity vs. Ambient temperature



**Temperature rise curve** Terminal temperature rise due to the current carried

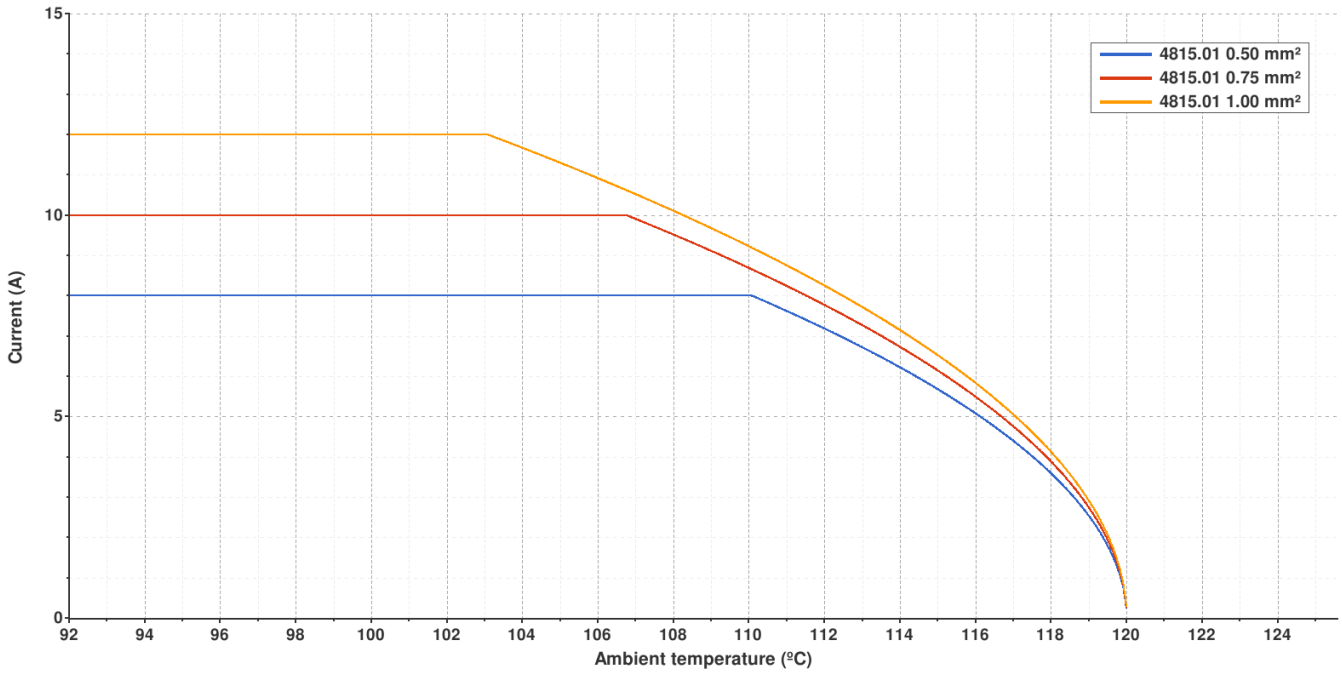


Valid for Natural Brass Tab

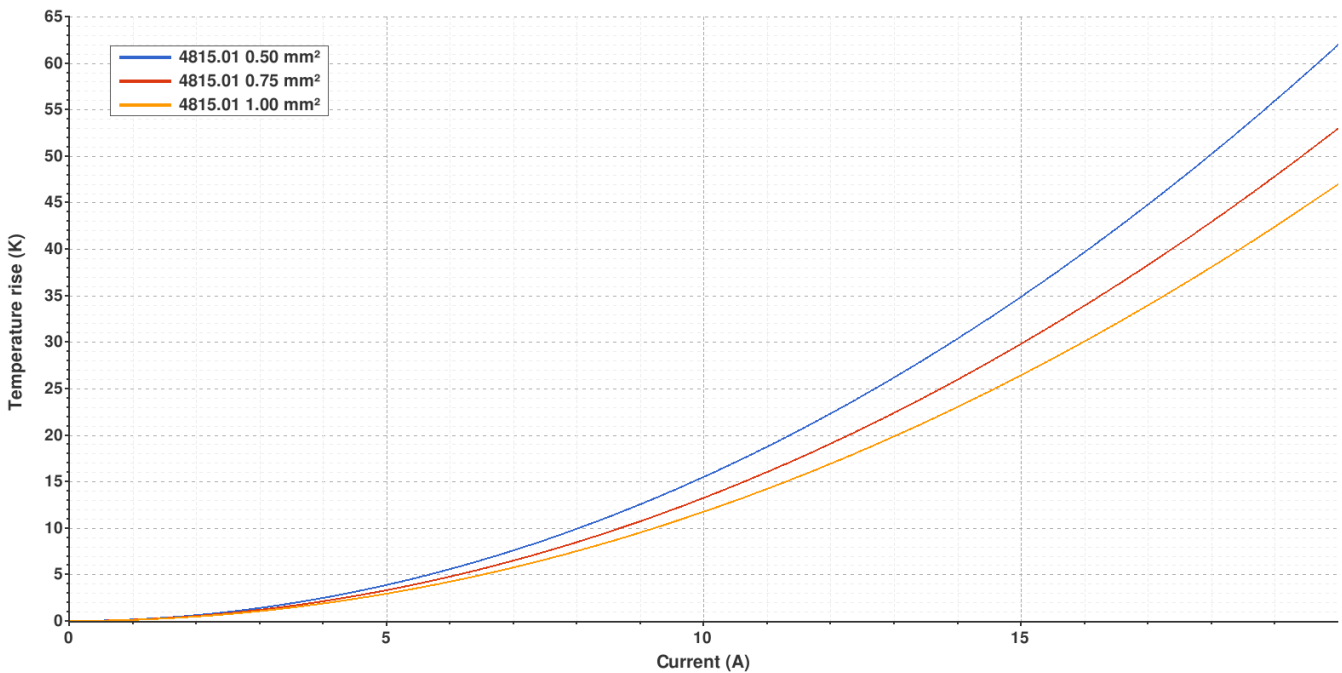
**4815.01 PRE-TIN-PLATED BRASS**  
**4.8 (.187) TYPE SERIES · RECEPTACLES**



**Derating curve** Current carrying capacity vs. Ambient temperature



**Temperature rise curve** Terminal temperature rise due to the current carried

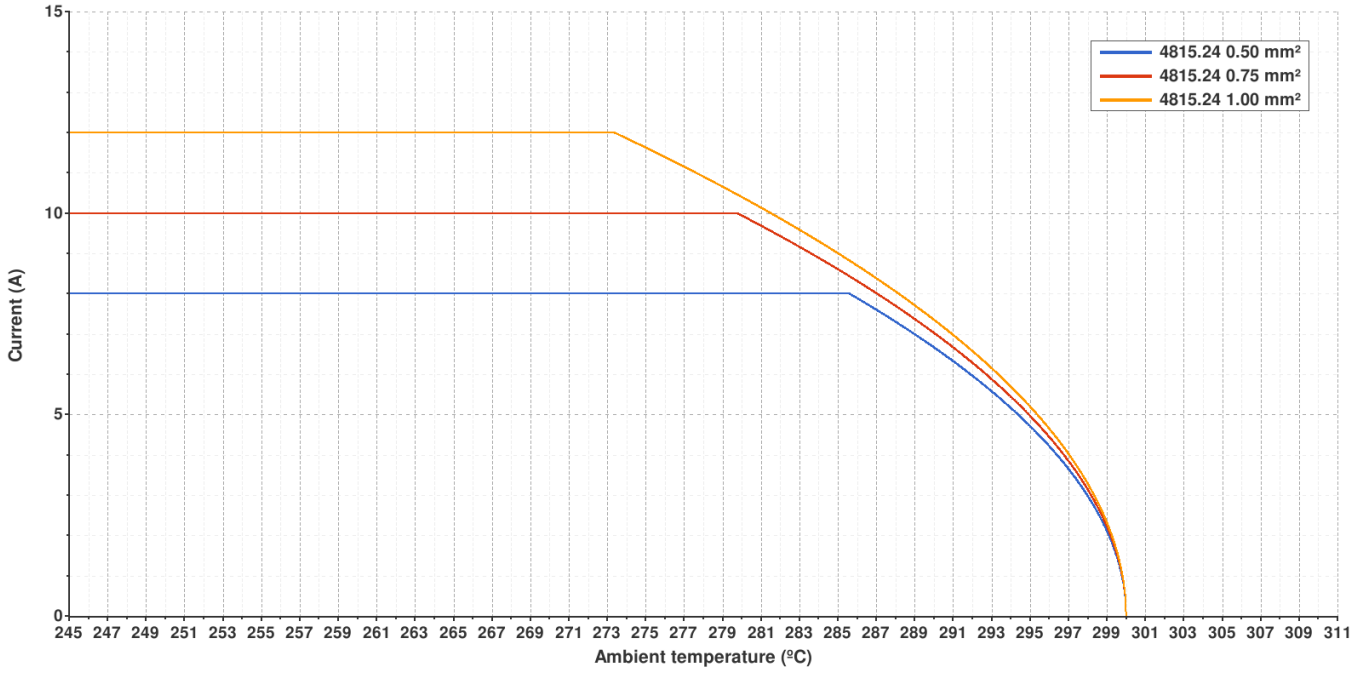


Valid for Natural Brass Tab

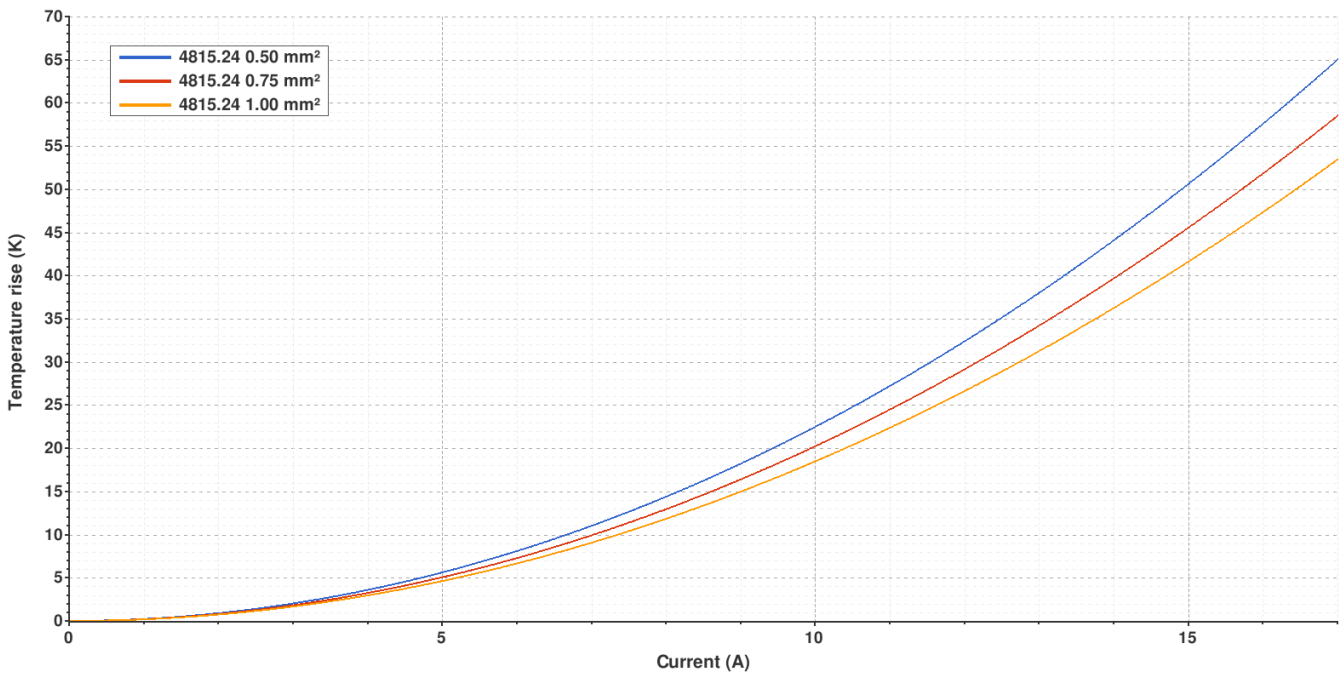
**4815.24 NICKEL-PLATED STEEL**  
**4.8 (.187) TYPE SERIES · RECEPTACLES**



**Derating curve** Current carrying capacity vs. Ambient temperature



**Temperature rise curve** Terminal temperature rise due to the current carried



Valid for Natural Brass Tab

## 4815.\*\* 4.8 (.187) TYPE SERIES · RECEPTACLES



(T.B.D.): To be determined

### Disclaimer

Data obtained from Escubedo Laboratory essays, using own methodology, cablings, equipment and original crimping tools, done in laboratory conditions and following the indicated standards, errors and omissions excepted. This document has no contractual meaning and it is publicised only for informative purposes. It can be changed without prior notice. The end customer has the sole responsibility to check these characteristics in its environment and with its own components, manufacturing methods and equipment. See also the full range product overview if available. For further information please visit our web site or contact us

Rev. Nr.	Concept	Date	Created/Revised	Approved
A4	Change company name and logo	2021-10-21	Laboratory Dept.	E. Roura
A3	Update [Contact resistance]	2019-02-27	Laboratory Dept.	E. Roura
A2	Update UL Regulation	2019-02-12	Laboratory Dept.	E. Roura
A1	Datasheet generated automatically	2019-01-23	Laboratory Dept.	E. Roura

Escubedo Connection Systems, S.A.U. · Ctra. de Girona-Olot Km. 35,5 · 17843 Riudellots de la Creu · Girona · Spain  
 Tel.: 34 972 171 706 · Fax: +34 972 171 714 · [info@escubedo.com](mailto:info@escubedo.com) · [www.escubedo.com](http://www.escubedo.com)