

4813F** 4.8 (.187) TYPE SERIES · RECEPTACLES



Specification Low insertion

For male (mm) 4,8x0,5

Wire size mm² (AWG) 0,3-0,75 (22-18)

Ø Insulation (mm) 1,4-2,4

Materials, temperature and contact resistance

Part nr.	Material	Finishing	Max. Temp. (°C)	Contact Resist (mΩ)
4813F00	Brass	Natural	110	0.95
4813F01	Brass	Pre-tin-plated	120	0.70
4813F24	Steel	Nickel-plated	300	(T.B.D.)
4813F30	Bronze	Natural	120	(T.B.D.)
4813F31	Bronze	Pre-tin-plated	130	(T.B.D.)

Material thickness (mm) 0,35

Max. rated current

Wire section	4813F00 / 01 / 24 / 30 / 31
0.30 mm ²	(T.B.D.)
0.50 mm ²	8A
0.75 mm ²	10A

Insertion / Withdrawal forces


	4813F00 / 01 / 24 / 30 / 31
1st Insertion (max)	25N ¹
1st Withdrawal (max)	50N ¹
1st Withdrawal (min)	22N ¹
6th Withdrawal (min)	13N ¹

¹ Valid for Natural Brass Tab

Application tool MN4813F

Wire strip length 4.4 (±0.5) mm

Crimping parameters & pull out force

Wire section (±10%)	Conductor 		Insulator	Pull-out force (N)
	Height (mm)	Width (mm)	Width (mm)	
0.30 mm ²	1.18 (±0.03)	1.85 (±0.03)	2.95 (±0.10)	28N @ 60s
0.50 mm ²	1.25 (±0.03)	1.86 (±0.03)	2.96 (±0.10)	56N @ 60s
0.75 mm ²	1.30 (±0.05)	1.87 (±0.05)	2.96 (±0.10)	84N @ 60s

Values only valid for the application tool specified upwards. The insulator widths are only indicative as they are dependent on the sheath thickness of the wire used.

Winding number 10000

Compatible connectors 24814**

Approved regulations

Part nr.	Approval	Standard	File	Certified framework
4813F00	UL	UL 310	E211727	AWG 22-20 (7-10 Stranded Cu) / MN4813F
4813F01	UL	UL 310	E211727	AWG 22-20 (7-10 Stranded Cu) / MN4813F

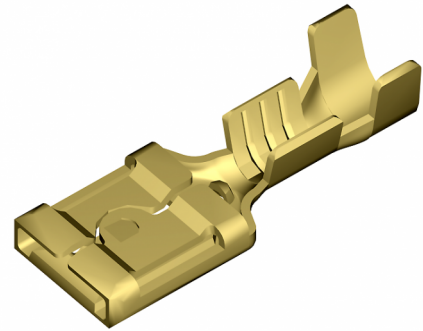
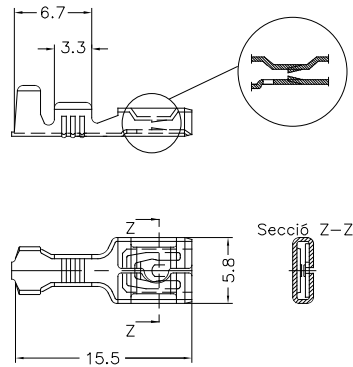
4813F**
4.8 (.187) TYPE SERIES · RECEPTACLES



Approvals



Drawing



(T.B.D.): To be determined

Disclaimer

Data obtained from Escubedo Laboratory essays, using own methodology, cablings, equipment and original crimping tools, done in laboratory conditions and following the indicated standards, errors and omissions excepted. This document has no contractual meaning and it is publicised only for informative purposes. It can be changed without prior notice. The end customer has the sole responsibility to check these characteristics in its environment and with its own components, manufacturing methods and equipment. See also the full range product overview if available. For further information please visit our web site or contact us

Rev. Nr.	Concept	Date	Created/Revised	Approved
A5	Change company name and logo	2021-10-21	E.Roura (Lab.Dept)	D.Yabar (Eng. Dept)
A4	Application tool updated	2021-02-22	E.Roura (Lab.Dept)	D.Yabar (Eng. Dept)
A3	Crimping parameters	2021-01-22	E.Roura (laboratory dept.)	M.Codina (engineering dept.)
A2	Update [Contact resistance]	2019-02-27	Laboratory Dept.	E. Roura
A1	Datasheet generated automatically [A1]	2019-02-12	Laboratory Dept.	E. Roura