

## 4719.\*\* 4.8 (.187) TYPE SERIES · RECEPTACLES SELF-LOCKING RECEPTACLES



**Specification** Standard self-locking terminals

**Typology** Manual disconnection

**For male (mm)** 4,8x0,8

**Wire size mm<sup>2</sup> (AWG)** 1-2,5 (18-14)

**Ø Insulation (mm)** 3-4,3

**Materials, temperature and contact resistance**

| Part nr. | Material | Finishing  | Max. Temp. (°C) |
|----------|----------|------------|-----------------|
| 4719.00  | Brass    | Natural    | 110             |
| 4719.02  | Brass    | Tin plated | 120             |
| 4719.30  | Bronze   | Natural    | 120             |
| 4719.32  | Bronze   | Tin plated | 130             |

**Material thickness (mm)** 0,35

**Max. rated current**

| Wire section         | 4719.00 / 02 / 30 / 32 |
|----------------------|------------------------|
| 1.00 mm <sup>2</sup> | 12A                    |
| 1.50 mm <sup>2</sup> | 16A                    |
| 2.50 mm <sup>2</sup> | 20A                    |

**Insertion / Withdrawal forces**

|                                       | 4719.00 / 02 / 30 / 32 |
|---------------------------------------|------------------------|
| 1st Insertion (max)                   | 25N <sup>1</sup>       |
| 1st Withdrawal (min, locking enabled) | 70N <sup>1</sup>       |

<sup>1</sup> Valid for Natural Brass Tab


**Security function**

Self-locking function prevents disconnection by pulling the cable. Disconnection is possible disabling the locking function, pressing the lever manually or sliding the connector (see withdrawal forces). It allows several connections-disconnections maintaining the functional features.

**Application tool** MN4716

**Wire strip length** 4.2 (±0.5) mm

**Crimping parameters & pull out force**

| Wire section<br>(±10%) | Conductor  |              | Insulator<br>Width (mm) | Pull-out force<br>(N) |
|------------------------|---|--------------|-------------------------|-----------------------|
|                        | Height (mm)   | Width (mm)   |                         |                       |
| 1.00 mm <sup>2</sup>   | 1.40 (±0.05)  | 3.03 (±0.05) | 4.11 (±0.10)            | 108N @ 60s            |
| 1.50 mm <sup>2</sup>   | 1.50 (±0.05)  | 3.04 (±0.05) | 4.12 (±0.10)            | 150N @ 60s            |
| 2.00 mm <sup>2</sup>   | 1.65 (±0.05)  | 3.06 (±0.05) | 4.13 (±0.10)            | 150N @ 60s            |
| 2.50 mm <sup>2</sup>   | 1.80 (±0.05)  | 3.08 (±0.05) | 4.14 (±0.10)            | 230N @ 60s            |

Values only valid for the application tool specified upwards. The insulator widths are only indicative as they are dependent on the sheath thickness of the wire used.

**Winding number** 10000

**Approved regulations**

| Part nr. | Approval | Standard | File    | Certified framework                    |
|----------|----------|----------|---------|--|
| 4719.00  | UL       | UL 310   | E211727 | AWG 18-14 (16-41 Stranded Cu) / MN4719 |
| 4719.02  | UL       | UL 310   | E211727 | AWG 18-14 (16-41 Stranded Cu) / MN4719 |

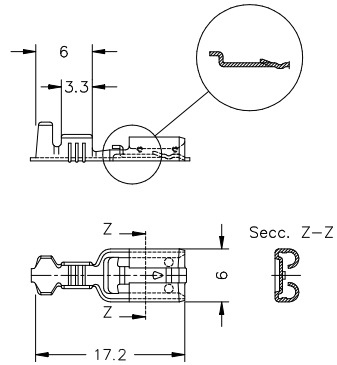
**4719.\*\***  
**4.8 (.187) TYPE SERIES · RECEPTACLES**  
**SELF-LOCKING RECEPTACLES**



**Approvals**



**Drawing**



**Disclaimer**

Data obtained from Escubedo Laboratory essays, using own methodology, cablings, equipment and original crimping tools, done in laboratory conditions and following the indicated standards, errors and omissions excepted. This document has no contractual meaning and it is publicised only for informative purposes. It can be changed without prior notice. The end customer has the sole responsibility to check these characteristics in its environment and with its own components, manufacturing methods and equipment. See also the full range product overview if available. For further information please visit our web site or contact us

| Rev. Nr. | Concept                                | Date       | Created/Revised             | Approved                     |
|----------|--|------------|-----------------------------|------------------------------|
| A1       | Datasheet generated automatically [A1] | 2022-03-17 | E. Roura (Laboratory Dept.) | O. Roura (Engineering Dept.) |

Escubedo Connection Systems, S.A.U. · Ctra. de Girona-Olot Km. 35,5 · 17843 Riudellots de la Creu · Girona · Spain  
Tel.: 34 972 171 706 · Fax: +34 972 171 714 · [info@escubedo.com](mailto:info@escubedo.com) · [www.escubedo.com](http://www.escubedo.com)