

4716.** 4.8 (.187) TYPE SERIES · RECEPTACLES SELF-LOCKING RECEPTACLES



Specification Standard self-locking terminals

Typology Connector disconnection

For male (mm) 4,8x0,5

Wire size mm² (AWG) 1-2,5 (18-14)

Ø Insulation (mm) 3-4,3

Materials, temperature and contact resistance

Part nr.	Material	Finishing	Max. Temp. (°C)
4716.00	Brass	Natural	110
4716.02	Brass	Tin plated	120
4716.30	Bronze	Natural	120
4716.32	Bronze	Tin plated	130

Material thickness (mm) 0,35

Max. rated current

Wire section	4716.00 / 02 / 30 / 32
16 AWG	(T.B.D.)
1.00 mm ²	12A
1.50 mm ²	16A
2.50 mm ²	20A

Insertion / Withdrawal forces

	4716.00 / 02 / 30 / 32
1st Insertion (max)	25N ¹
1st Withdrawal (min, locking enabled)	70N ¹

¹ Valid for Natural Brass Tab

Security function

Self-locking function prevents disconnection by pulling the cable. Disconnection is possible disabling the locking function, pressing the lever manually or sliding the connector (see withdrawal forces). It allows several connections-disconnections maintaining the functional features.

Application tool

MN4716

Wire strip length

4.2 (±0.5) mm

Crimping parameters & pull out force

Wire section (±10%)	Conductor		Insulator	Pull-out force (N)
	Height (mm)	Width (mm)		
1.00 mm ²	1.40 (±0.05)	3.03 (±0.05)	4.11 (±0.10)	108N @ 60s
1.50 mm ²	1.50 (±0.05)	3.04 (±0.05)	4.12 (±0.10)	150N @ 60s
2.00 mm ²	1.65 (±0.05)	3.06 (±0.05)	4.13 (±0.10)	150N @ 60s
2.50 mm ²	1.80 (±0.05)	3.08 (±0.05)	4.14 (±0.10)	230N @ 60s

Values only valid for the application tool specified upwards. The insulator widths are only indicative as they are dependent on the sheath thickness of the wire used.

Winding number

10000

Compatible connectors

24811**

4716.**
4.8 (.187) TYPE SERIES · RECEPTACLES
SELF-LOCKING RECEPTACLES



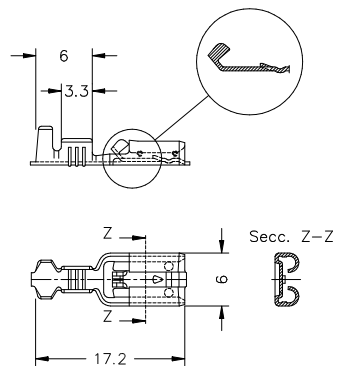
Approved regulations

Part nr.	Approval	Standard	File	Certified framework
4716.00	UL	UL 310	E211727	AWG 18-14 (16-41 Stranded Cu) / MN4716
4716.02	UL	UL 310	E211727	AWG 18-14 (16-41 Stranded Cu) / MN4716

Approvals



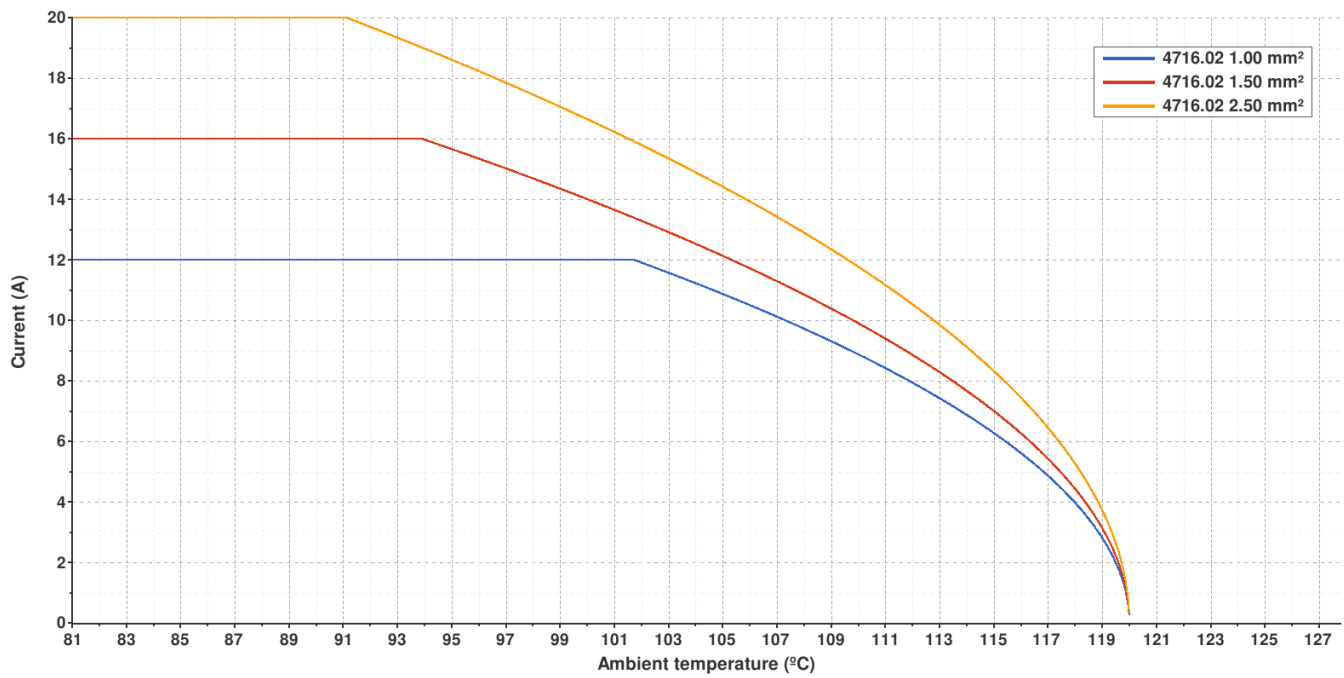
Drawing



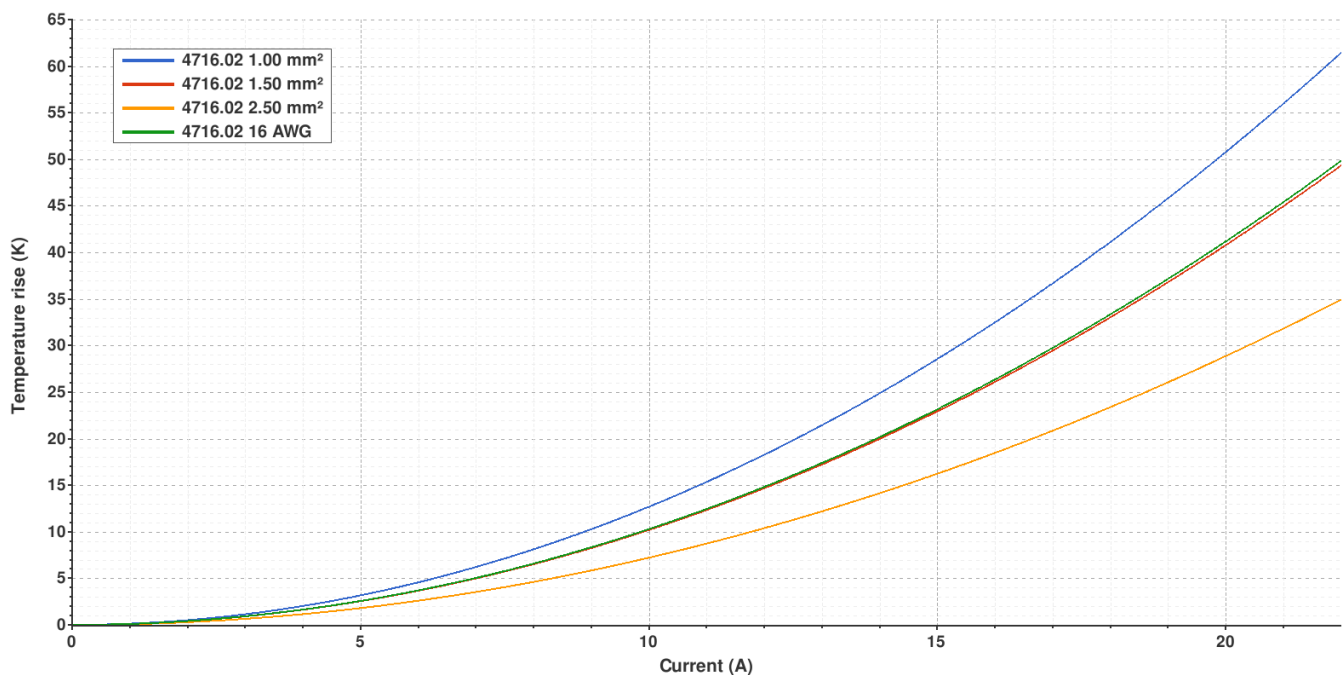
4716.02 TIN PLATED BRASS
4.8 (.187) TYPE SERIES · RECEPTACLES
SELF-LOCKING RECEPTACLES



Derating curve Current carrying capacity vs. Ambient temperature



Temperature rise curve Terminal temperature rise due to the current carried



Valid for Natural Brass Tab

4716.**
4.8 (.187) TYPE SERIES · RECEPTACLES
SELF-LOCKING RECEPTACLES



(T.B.D.): To be determined

Disclaimer

Data obtained from Escubedo Laboratory essays, using own methodology, cablings, equipment and original crimping tools, done in laboratory conditions and following the indicated standards, errors and omissions excepted. This document has no contractual meaning and it is publicised only for informative purposes. It can be changed without prior notice. The end customer has the sole responsibility to check these characteristics in its environment and with its own components, manufacturing methods and equipment. See also the full range product overview if available. For further information please visit our web site or contact us

Rev. Nr.	Concept	Date	Created/Revised	Approved
A5	Derating Curve updated	2022-04-29	E.Roura (Laboratory dept.)	M.Codina (Engineering dept.)
A4	Update datasheet - Add tipology	2022-03-17	E. Roura (Laboratory Dept.)	O. Roura (Engineering Dept.)
A3	Change company name and logo	2021-10-21	E.Roura (laboratory dept.)	M.Codina (engineering dept.)
A2	Secutiry function updated	2021-02-22	E.Roura (laboratory dept.)	M.Codina (engineering dept.)
A1	Datasheet generated automatically [A1]	2020-09-16	Laboratory Dept.	E. Roura

Escubedo Connection Systems, S.A.U. · Ctra. de Girona-Olot Km. 35,5 · 17843 Riudellots de la Creu · Girona · Spain
 Tel.: 34 972 171 706 · Fax: +34 972 171 714 · info@escubedo.com · www.escubedo.com