

4611.** 2.8 (.110) TYPE SERIES · RECEPTACLES



For male (mm) 2,8x0,8

Wire size mm² (AWG) 0,5-1 (20-18)

Ø Insulation (mm) 1,8-2,5

Materials, temperature and contact resistance

Part nr.	Material	Finishing	Max. Temp. (°C)	Contact Resist (mΩ)
4611.00	Brass	Natural	110	1.75
4611.01	Brass	Pre-tin-plated	120	1.50

Material thickness (mm) 0,25

Max. rated current

Wire section	4611.00 / 01
0.50 mm ²	5A
0.75 mm ²	6,5A
1.00 mm ²	8A

Insertion / Withdrawal forces


	4611.00
1st Insertion (max)	15N ¹
6th Insertion (min)	9N ¹

¹ Valid for Natural brass tab

Application tool MN4609

Wire strip length 4.0 (±0.3) mm

Crimping parameters & pull out force

Wire section (±10%)	Conductor 		Insulator	Pull-out force (N)
	Height (mm)	Width (mm)	Width (mm)	
0.50 mm ²	1.10 (±0.03)	1.85 (±0.03)	2.67 (±0.10)	56N @ 60s
0.75 mm ²	1.20 (±0.05)	1.86 (±0.05)	2.68 (±0.10)	84N @ 60s
1.00 mm ²	1.30 (±0.05)	1.87 (±0.05)	2.69 (±0.10)	108N @ 60s

Values only valid for the application tool specified upwards. The insulator widths are only indicative as they are dependent on the sheath thickness of the wire used.

Winding number 15000

Compatible connectors 22814**

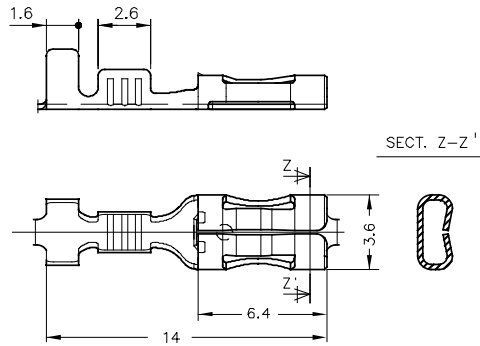
Approvals



4611.**
2.8 (.110) TYPE SERIES · RECEPTACLES



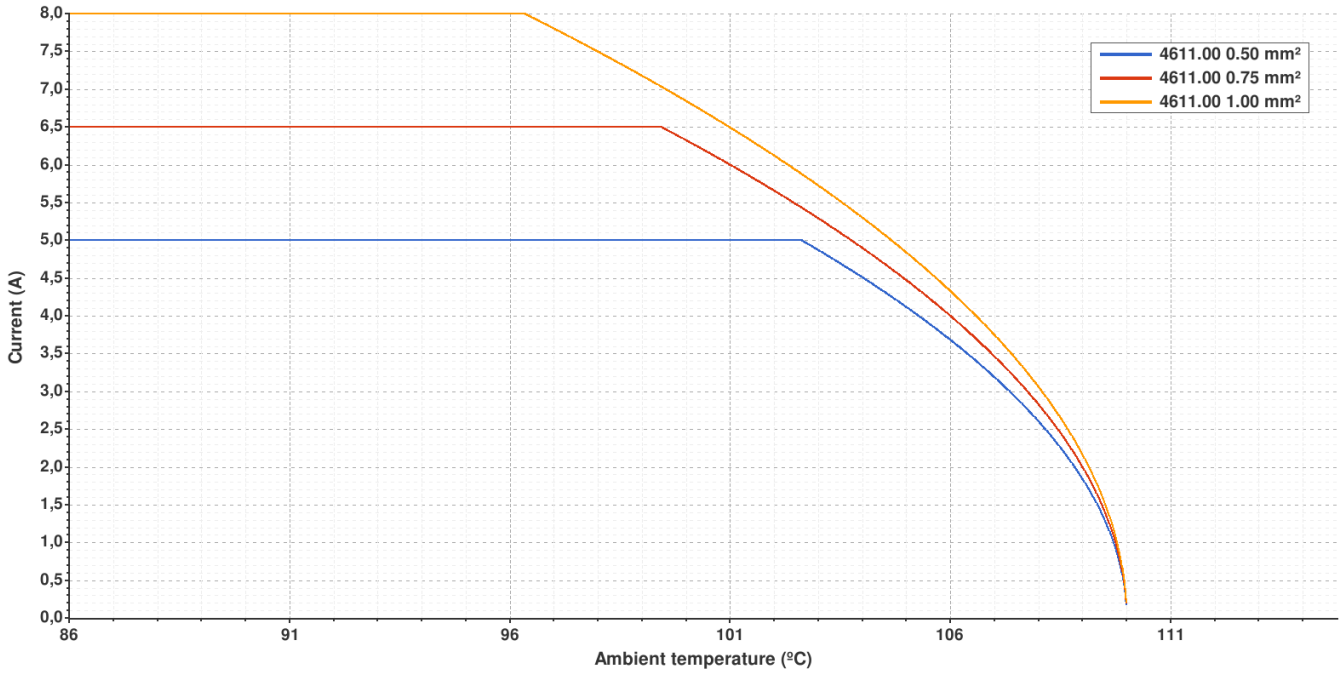
Drawing



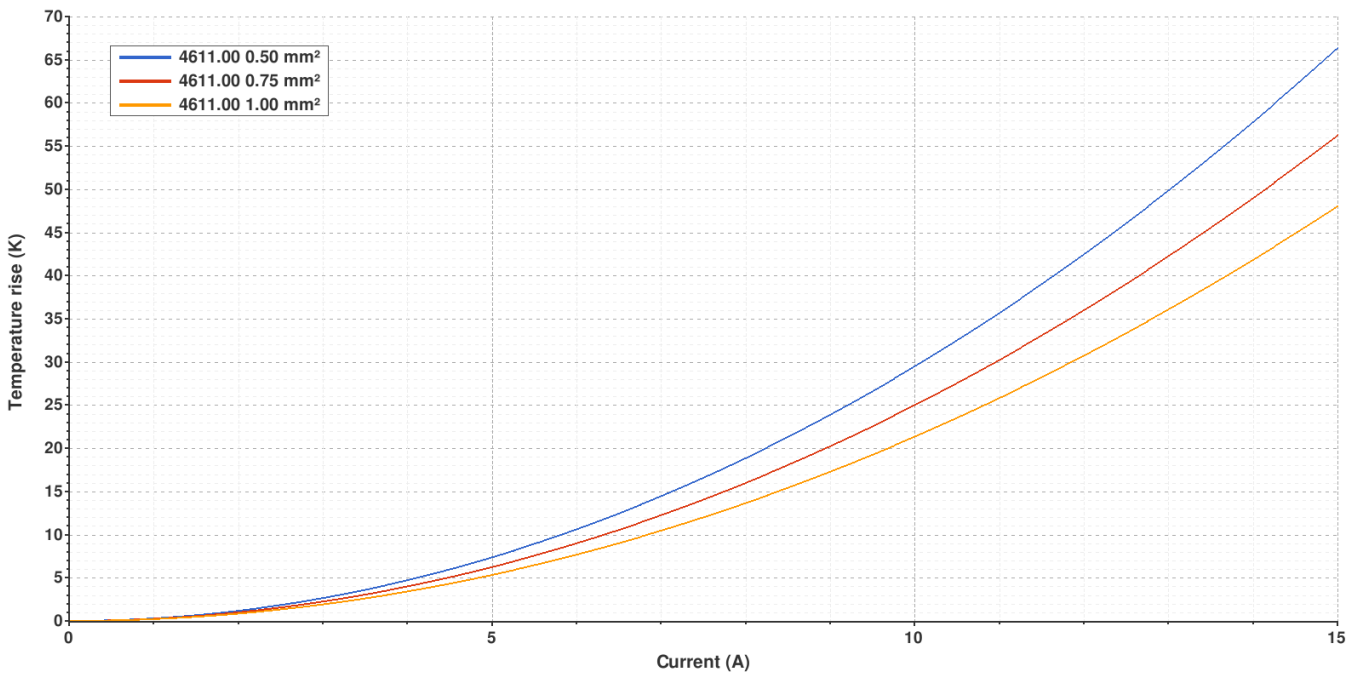
4611.00 NATURAL BRASS
2.8 (.110) TYPE SERIES · RECEPTACLES



Derating curve Current carrying capacity vs. Ambient temperature



Temperature rise curve Terminal temperature rise due to the current carried

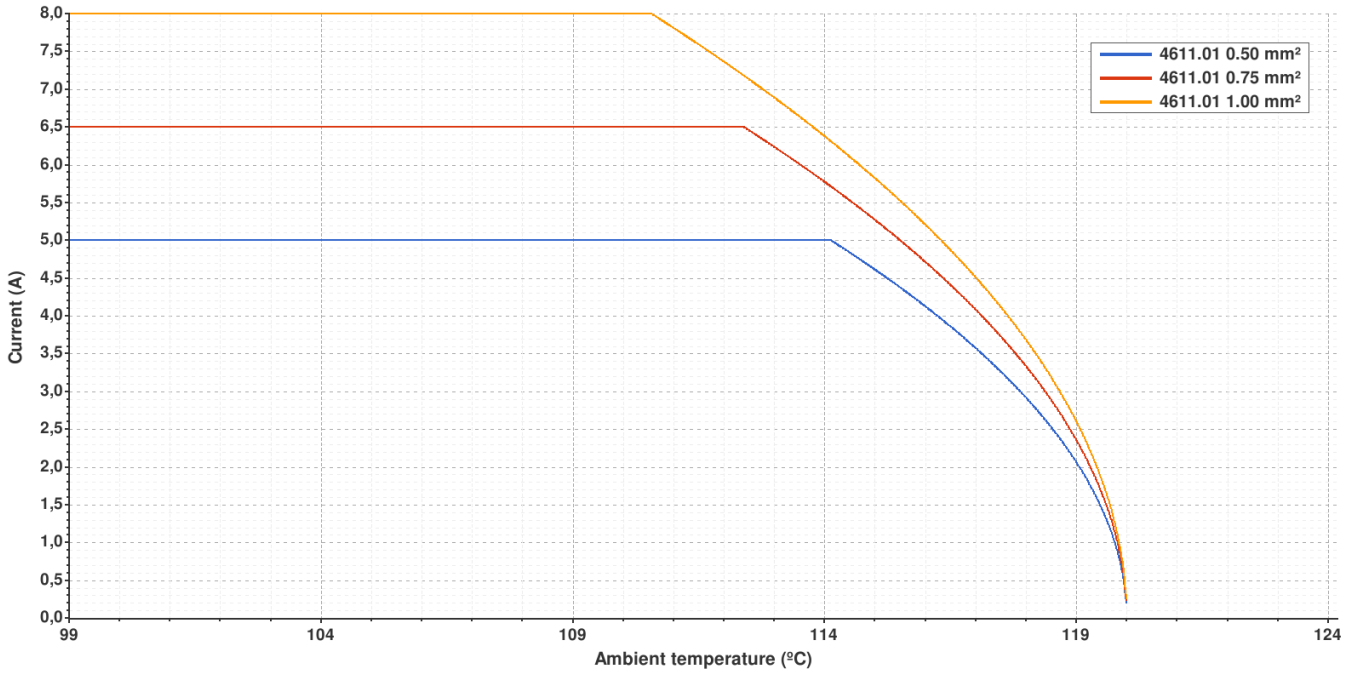


Valid for Natural brass tab

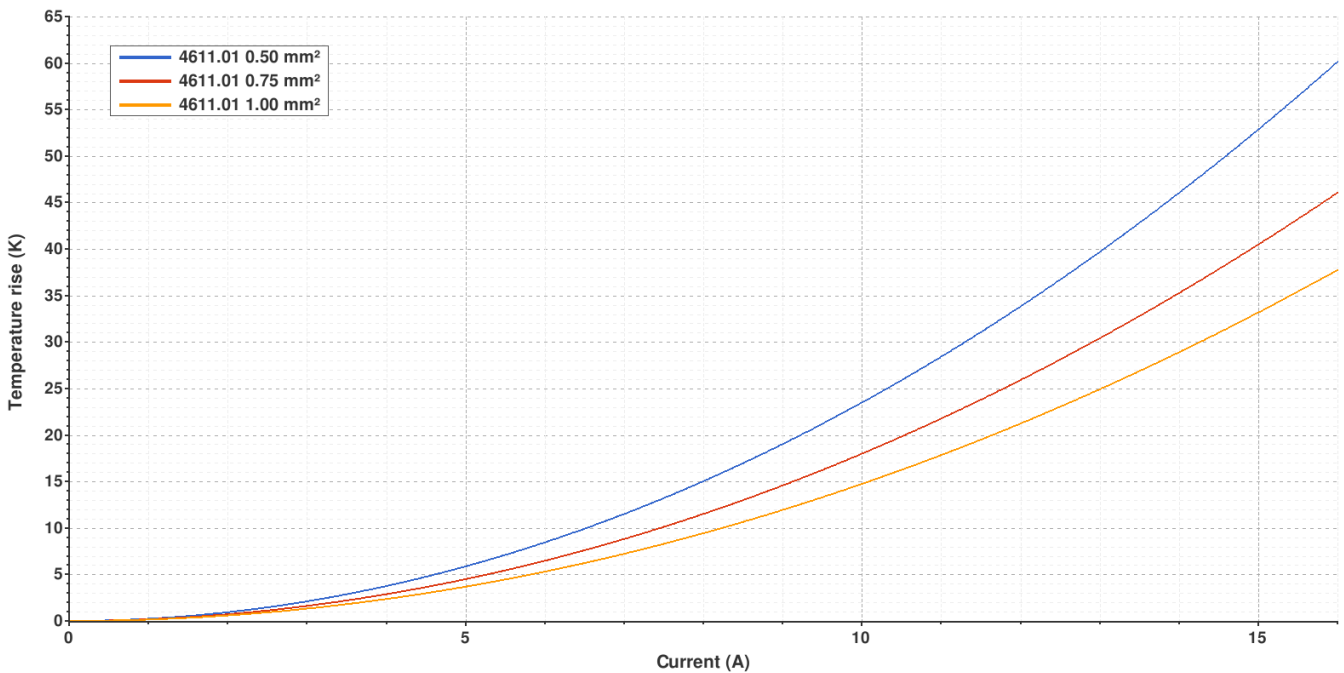
4611.01 PRE-TIN-PLATED BRASS
2.8 (.110) TYPE SERIES · RECEPTACLES



Derating curve Current carrying capacity vs. Ambient temperature



Temperature rise curve Terminal temperature rise due to the current carried



Valid for Natural brass tab

4611.** 2.8 (.110) TYPE SERIES · RECEPTACLES



Disclaimer

Data obtained from Escubedo Laboratory essays, using own methodology, cablings, equipment and original crimping tools, done in laboratory conditions and following the indicated standards, errors and omissions excepted. This document has no contractual meaning and it is publicised only for informative purposes. It can be changed without prior notice. The end customer has the sole responsibility to check these characteristics in its environment and with its own components, manufacturing methods and equipment. See also the full range product overview if available. For further information please visit our web site or contact us

Rev. Nr.	Concept	Date	Created/Revised	Approved
A4	Change company name and logo	2021-10-21	Laboratory Dept.	E. Roura
A3	Update de-rating curve, temperature rise curve and contact resistance	2021-01-25	Laboratory Dept.	E. Roura
A2	Compatible connectors updated	2020-09-24	M.Codina (Eng. Dept.)	E.Roura (Lab. Dept.)
A1	Datasheet created automatically [A1]	2019-09-24	E. Roura (Laboratory Dept.)	M. Codina (Engineering Dept.)

Escubedo Connection Systems, S.A.U. · Ctra. de Girona-Olot Km. 35,5 · 17843 Riudellots de la Creu · Girona · Spain
 Tel.: 34 972 171 706 · Fax: +34 972 171 714 · info@escubedo.com · www.escubedo.com