

4540.** 6.3 (.250) TYPE SERIES · RECEPTACLES



Specification Standard Terminals

Typology Short Terminal

For male (mm) 6,3x0,8

Din Esp

Wire size mm² (AWG) 0,5-1 (20-18)

Ø Insulation (mm) 1,8-2,5

Materials, temperature and contact resistance

Part nr.	Material	Finishing	Max. Temp. (°C)
4540.00	Brass	Natural	110
4540.02	Brass	Tin plated	120
4540.24	Steel	Nickel-plated	300
4540.30	Bronze	Natural	120
4540.32	Bronze	Tin plated	130

Material thickness (mm) 0,4

Max. rated current

Wire section	4540.00 / 02 / 24 / 30 / 32
0.50 mm ²	8A
0.75 mm ²	10A
1.00 mm ²	12A

Insertion / Withdrawal forces

	4540.00 / 30	4540.02 / 24 / 32
1st Insertion (max)	60N ¹	60N ¹
1st Withdrawal (max)	60N ¹	60N ¹
1st Withdrawal (min)	27N ¹	22N ¹
6th Withdrawal (min)	22N ¹	18N ¹

¹ Valid for Natural Brass Tab

Application tool MN4840

Wire strip length 5.0 (±0.5) mm

Winding number 8000

Compatible connectors 26310**, 26311**, 26313**, 26316**, 26320**, 26321**

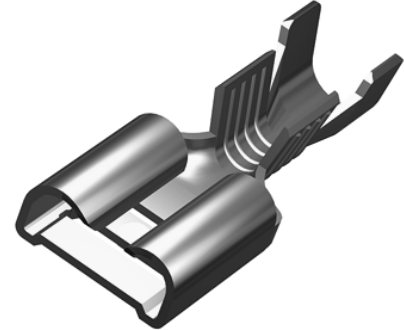
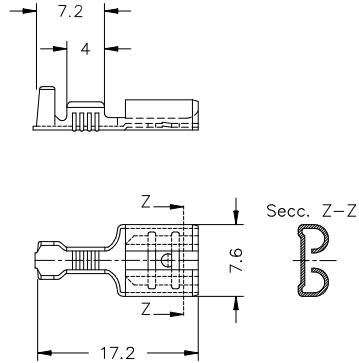
Approved regulations

Part nr.	Approval	Standard	File	Certified framework
4540.00	UL	UL 310	E211727	AWG 20-18 (10-16 Stranded Cu) / MN4540
4540.02	UL	UL 310	E211727	AWG 20-18 (10-16 Stranded Cu) / MN4540
4540.24	UL	UL 310	E211727	AWG 20-18 (10-16 Stranded Cu) / MN4540

Approvals



4540.**
6.3 (.250) TYPE SERIES · RECEPTACLES

Drawing

Disclaimer

Data obtained from Escubedo Laboratory essays, using own methodology, cablings, equipment and original crimping tools, done in laboratory conditions and following the indicated standards, errors and omissions excepted. This document has no contractual meaning and it is publicised only for informative purposes. It can be changed without prior notice. The end customer has the sole responsibility to check these characteristics in its environment and with its own components, manufacturing methods and equipment. See also the full range product overview if available. For further information please visit our web site or contact us

Rev. Nr.	Concept	Date	Created/Revised	Approved
A1	Datasheet generated automatically [A1]	2021-11-12	E. Roura (Laboratory Dept.)	O. Roura (Engineering Dept.)

Escubedo Connection Systems, S.A.U. · Ctra. de Girona-Olot Km. 35,5 · 17843 Riudellots de la Creu · Girona · Spain
 Tel.: 34 972 171 706 · Fax: +34 972 171 714 · info@escubedo.com · www.escubedo.com