

4121.**

RAST 5 TERMINALS AND CONNECTORS · RECEPTACLES FOR CONNECTOR



Specification RAST 5 CRIMP CONNECT

For male (mm) 6,3x0,8

Wire size mm² (AWG) 0,5-1 (20-18)

Ø Insulation (mm) 1,8-2,5

Materials, temperature and contact resistance

Part nr.	Material	Finishing	Max. Temp. (°C)	Contact Resist (mΩ)
4121.00	Brass	Natural	110	0.65
4121.01	Brass	Pre-tin-plated	120	0.50
4121.02	Brass	Tin plated	120	0.55
4121.24	Steel	Nickel-plated	300	1.50
4121.30	Bronze	Natural	120	(T.B.D.)
4121.31	Bronze	Pre-tin-plated	130	(T.B.D.)
4121.32	Bronze	Tin plated	130	(T.B.D.)
4121.70	German Silver	Natural	210	2.00

Material thickness (mm) 0,4

Max. rated current

Wire section	4121.00 / 01 / 02 / 24 / 30 / 31 / 32 / 70
0.50 mm ²	8A
0.75 mm ²	10A
1.00 mm ²	12A

Insertion / Withdrawal forces


	4121.00 / 01 / 02 / 30 / 31 / 32	4121.24 / 70
1st Insertion (max)	20N ¹	25N ¹
1st Withdrawal (max)	40N ¹	40N ¹
6th Withdrawal (min)	13N ¹	13N ¹

¹ Valid for Natural Brass Tab

Application tool MN4120

Wire strip length 5.5 (±0.5) mm

Crimping parameters & pull out force

Wire section (±10%)	Conductor 		Insulator	Pull-out force (N)
	Height (mm)	Width (mm)		
0.50 mm ²	1.30 (±0.03)	2.36 (±0.03)	3.47 (±0.10)	56N @ 60s
0.75 mm ²	1.40 (±0.05)	2.37 (±0.05)	3.47 (±0.10)	84N @ 60s
1.00 mm ²	1.50 (±0.05)	2.37 (±0.05)	3.48 (±0.10)	108N @ 60s

Values only valid for the application tool specified upwards. The insulator widths are only indicative as they are dependent on the sheath thickness of the wire used.

Winding number 8000

Compatible connectors P8412**, P8413**, P8414**, P8415**, R5315**-K, R5412**-K, R5413**-K, R5414**-K, R5415**-K, R5416**-K, R5417**-K

Approvals

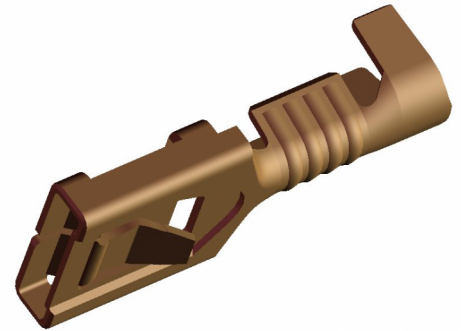
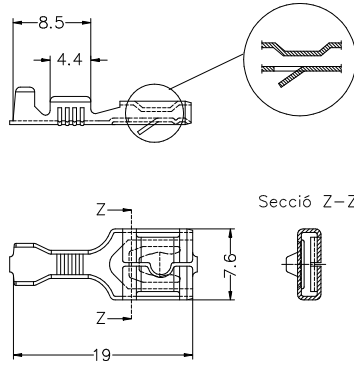


4121.**

RAST 5 TERMINALS AND CONNECTORS · RECEPTACLES FOR CONNECTOR



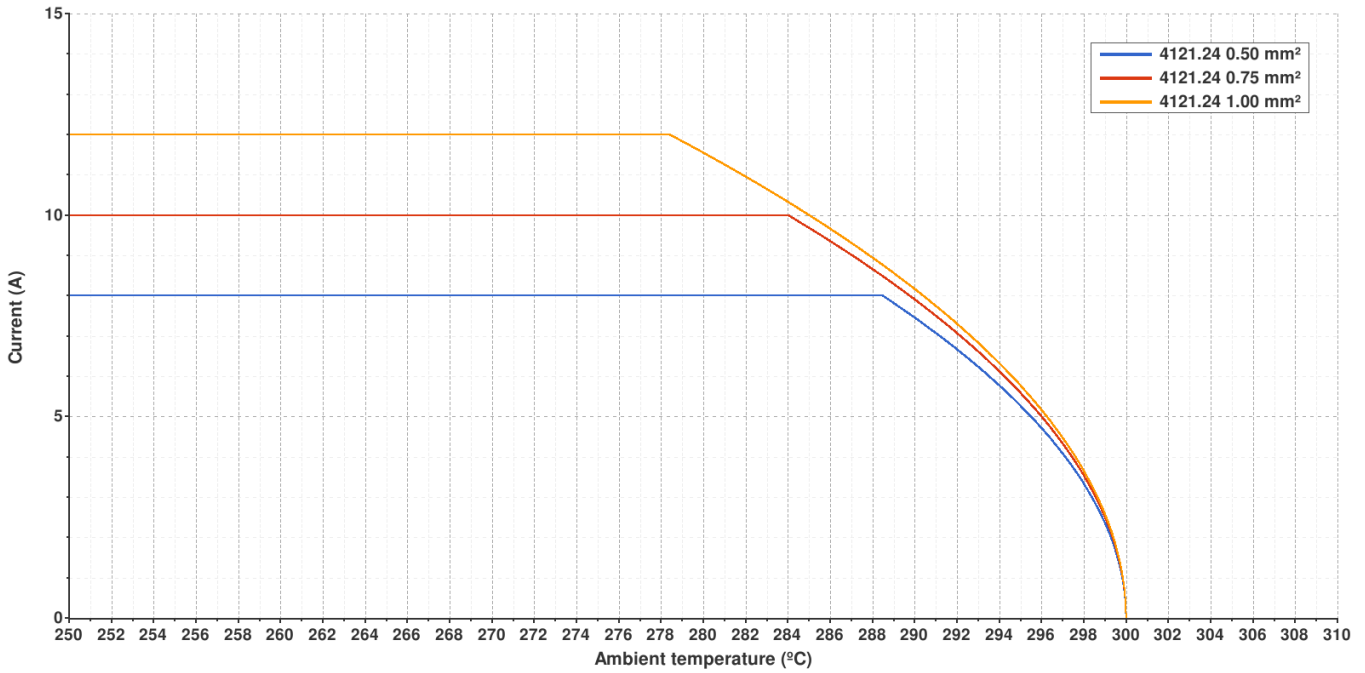
Drawing



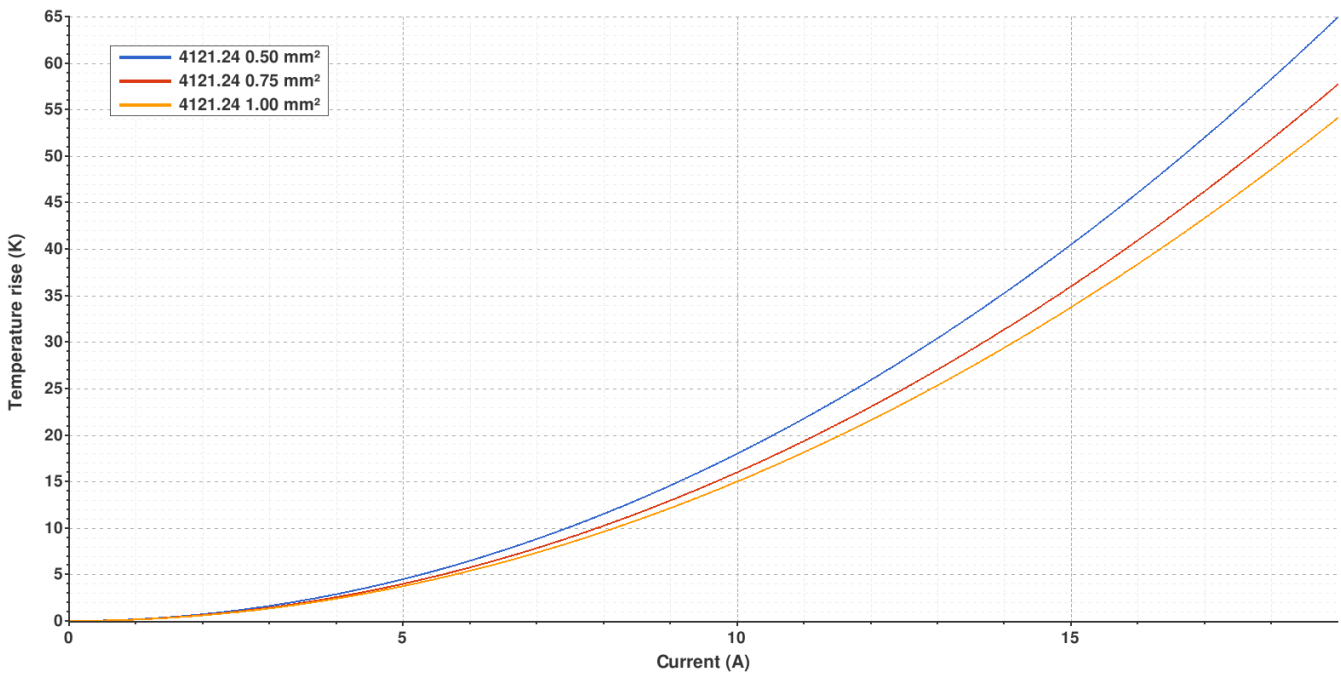
4121.24 NICKEL-PLATED STEEL
RAST 5 TERMINALS AND CONNECTORS · RECEPTACLES FOR CONNECTOR



Derating curve Current carrying capacity vs. Ambient temperature



Temperature rise curve Terminal temperature rise due to the current carried



Valid for Natural Brass Tab

4121.**

RAST 5 TERMINALS AND CONNECTORS · RECEPTACLES FOR CONNECTOR



(T.B.D.): To be determined

Disclaimer

Data obtained from Escubedo Laboratory essays, using own methodology, cablings, equipment and original crimping tools, done in laboratory conditions and following the indicated standards, errors and omissions excepted. This document has no contractual meaning and it is publicised only for informative purposes. It can be changed without prior notice. The end customer has the sole responsibility to check these characteristics in its environment and with its own components, manufacturing methods and equipment. See also the full range product overview if available. For further information please visit our web site or contact us

Rev. Nr.	Concept	Date	Created/Revised	Approved
A3	Insertion and withdrawal forces - Update	2022-02-14	E. Roura (Laboratory Dept.)	O. Roura (Engineering Dept.)
A2	Change company name and logo	2021-10-21	Laboratory Dept.	E. Roura
A1	Datasheet generated automatically [A1]	2019-06-04	Laboratory Dept.	E. Roura