

4106.** 2.8 (.110) TYPE SERIES · RECEPTACLES FOR CONNECTOR



Specification Standard Terminals

Description Standard receptacles. Side feed.

For male (mm) 2,8x0,8

Din 46340

Wire size mm² (AWG) 0,3-0,6 (22-20)

Ø Insulation (mm) 1,5-2 FLR

Materials, temperature and contact resistance

Part nr.	Material	Finishing	Max. Temp. (°C)	Contact Resist (mΩ)
4106.00	Brass	Natural	110	(T.B.D.)
4106.01	Brass	Pre-tin-plated	120	0.50
4106.30	Bronze	Natural	120	(T.B.D.)
4106.31	Bronze	Pre-tin-plated	130	(T.B.D.)

Material thickness (mm) 0,3

Max. rated current

Wire section	4106.00 / 01 / 30 / 31
0.35 mm ²	(T.B.D.)
0.50 mm ²	6A
0.60 mm ²	6A

Insertion / Withdrawal forces

	4106.00 / 01 / 30 / 31
1st Insertion (max)	25N ¹
1st Withdrawal (max)	30N ¹
6th Withdrawal (min)	5N ¹

¹ Valid for Natural Brass Tab

Application tool MN4106

Wire strip length 3.5 (±0.5) mm

Crimping parameters & pull out force

Wire section (±10%)	Conductor		Insulator	Pull-out force (N)
	Height (mm)	Width (mm)	Width (mm)	
0.30 mm ²	1.00 (±0.03)	1.83 (±0.03)	2.46 (±0.10)	28N @ 60s
0.50 mm ²	1.05 (±0.03)	1.85 (±0.03)	2.47 (±0.10)	56N @ 60s
0.60 mm ²	1.10 (±0.05)	1.85 (±0.05)	2.47 (±0.10)	56N @ 60s

Values only valid for the application tool specified upwards. The insulator widths are only indicative as they are dependent on the sheath thickness of the wire used.

Winding number 8000

Compatible connectors 22843**, 22850**, 22852**, 22873**

Approved regulations

Part nr.	Approval	Standard	File	Certified framework
4106.00	UL	UL 310	E211727	AWG 22-20 (7-10 Stranded Cu) / MN4106
4106.01	UL	UL 310	E211727	AWG 22-20 (7-10 Stranded Cu) / MN4106

4106.**

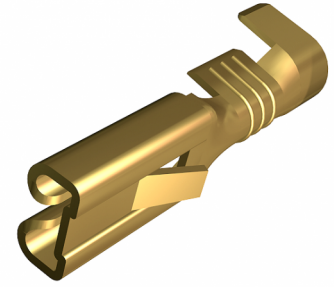
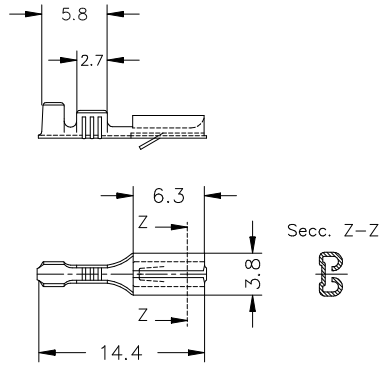
2.8 (.110) TYPE SERIES · RECEPTACLES FOR CONNECTOR



Approvals



Drawing



(T.B.D.): To be determined

Disclaimer

Data obtained from Escubedo Laboratory essays, using own methodology, cablings, equipment and original crimping tools, done in laboratory conditions and following the indicated standards, errors and omissions excepted. This document has no contractual meaning and it is publicised only for informative purposes. It can be changed without prior notice. The end customer has the sole responsibility to check these characteristics in its environment and with its own components, manufacturing methods and equipment. See also the full range product overview if available. For further information please visit our web site or contact us

Rev. Nr.	Concept	Date	Created/Revised	Approved
A3	Change company name and logo	2021-10-21	Laboratory Dept.	E. Roura
A2	Update datasheet (Specification)	2018-07-13	Laboratory Dept.	E. Roura
A1	Datasheet created automatically	2018-06-25	Engineering Dept.	X.Menac

Escubedo Connection Systems, S.A.U. · Ctra. de Girona-Olot Km. 35,5 · 17843 Riudellots de la Creu · Girona · Spain
Tel.: 34 972 171 706 · Fax: +34 972 171 714 · info@escubedo.com · www.escubedo.com