

26433**

6.3 (.250) TYPE SERIES · FLAGS

SELF-LOCKING RECEPTACLES. LOW INSERTION TERMINALS.



Specification Flag receptacle housings

Ways 1

Thermal Characteristics

Part nr.	Raw material	Color	Flammability Class (UL 94)	Glow Wire Test (GWT) (IEC60695-2-11)	Glow Wire Flammability Index (IEC60695-2-12)	RTI electrical (Max. Operating Temp.)
2643310	PA66V2	Natural	V2	(T.B.D.)	850°C	105°C
2643330	PA66V0	Natural	V0	(T.B.D.)	960°C	140°C
2643340	NO FLAME	Natural	V2	(T.B.D.)	960°C	130°C
2643360	PAV0NF	Natural	V0	(T.B.D.)	960°C	120°C

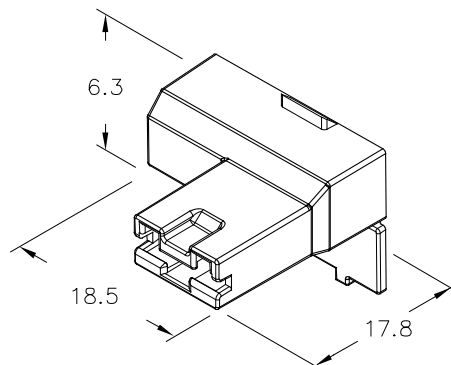
For other materials and colors ask to: info@escubedo.com

Compatible terminals 5728.**, 5728S**, 5730.**, 5730S**, 5731.**, 5731S**, 5732.**, 5732S**, 5734.**, 5734S**

Insertion / Withdrawal forces

	2643310 / 30 / 40 / 60
Terminal into connector cavity. Insertion force (max)	15N
Terminal from connector cavity - only primary lock. Withdrawal force (min)	60N

Drawing



(T.B.D.): To be determined

Disclaimer

Data obtained from Escubedo Laboratory essays, using own methodology, cabling, equipment and original crimping tools, done in laboratory conditions and following the indicated standards, errors and omissions excepted. This document has no contractual meaning and it is publicised only for informative purposes. It can be changed without prior notice. The end customer has the sole responsibility to check these characteristics in its environment and with its own components, manufacturing methods and equipment. See also the full range product overview if available. For further information please visit our web site or contact us

Rev. Nr.	Concept	Date	Created/Revised	Approved
A1	Update insertion and withdrawal forces.	2021-11-29	E. Roura (Laboratory Dept.)	O. Roura (Engineering Dept.)