

26353**

6.3 (.250) TYPE SERIES · RECEPTACLES FOR CONNECTOR



Specification Receptacle Connectors

Ways 3

Thermal Characteristics

Part nr.	Raw material	Color	Flammability Class (UL 94)	Glow Wire Test (GWT) (IEC60695-2-11)	Glow Wire Flammability Index (IEC60695-2-12)	RTI electrical (Max. Operating Temp.)
2635310	PA66V2	Natural	V2	(T.B.D.)	850°C	105°C
2635330	PA66V0	Natural	V0	(T.B.D.)	960°C	140°C
2635340	PANF	Natural	V2	(T.B.D.)	960°C	130°C
2635350	Stanyl	Natural	V2	(T.B.D.)	850°C	150°C
2635360	PAV0NF	Natural	V0	(T.B.D.)	960°C	120°C

For other materials and colors ask to: info@escubedo.com

Compatible terminals 4321.**, 4323.**, 4325.**, 4327.**, 4328.**, 4330.**, 4331.**, 4332E**, 4333.**, 4335.**, 4336E**, 4337.**, 4346.**, 4348.**

Insertion / Withdrawal forces

	2635310 / 30 / 40 / 50 / 60
Terminal into connector cavity. Insertion force (max)	15N
Terminal from connector cavity. Withdrawal force (min)	90N

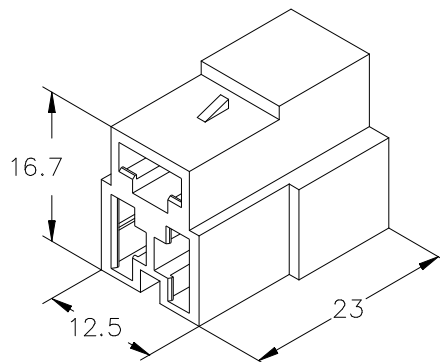
Approved regulations

Part nr.	Approval	Standard	File	Certified framework
2635310	UL	UL 1977	E245592	V2 / RTI Elec. Max. Operating Temp, 65°C
2635330	UL	UL 1977	E245592	V0 / RTI Elec. Max. Operating Temp, 140°C
2635340	UL	UL 1977	E245592	V2 / RTI Elec. Max. Operating Temp, 130°C
2635350	UL	UL 1977	E245592	V2 / RTI Elec. Max. Operating Temp, 150°C
2635360	UL	UL 1977	E245592	V0 / RTI Elec. Max. Operating Temp, 65°C

Approvals



Drawing



(T.B.D.): To be determined

Disclaimer

Data obtained from Escubedo Laboratory essays, using own methodology, cabling, equipment and original crimping tools, done in laboratory conditions and following the indicated standards, errors and omissions excepted. This document has no contractual meaning and it is published only for informative purposes. It can be changed without prior notice. The end customer has the sole responsibility to check these characteristics in its environment and with its own components, manufacturing methods and equipment. See also the full range product overview if available. For further information please visit our web site or contact us

Rev. Nr.	Concept	Date	Created/Revised	Approved
A2	Update Insertion / Withdrawal forces	2022-01-04	Laboratory Dept.	E. Roura (Laboratory Dept.)
A1	Datasheet created automatically [A1]	2021-12-13	Laboratory Dept.	E. Roura (Laboratory Dept.)

Escubedo Connection Systems, S.A.U. · Ctra. de Girona-Olot Km. 35,5 · 17843 Riudellots de la Creu · Girona · Spain
 Tel.: 34 972 171 706 · Fax: +34 972 171 714 · info@escubedo.com · www.escubedo.com