

26346** 6.3 (.250) TYPE SERIES · MALES FOR CONNECTOR



Specification Male Connectors

Ways 6

Thermal Characteristics

Part nr.	Raw material	Color	Flammability Class (UL 94)	Glow Wire Test (GWT) (IEC60695-2-11)	Glow Wire Flammability Index (IEC60695-2-12)	RTI electrical (Max. Operating Temp.)
2634610	PA66V2	Natural	V2	NO	850°C	105°C
2634640	NO FLAME	Natural	V2	750 °C	960 °C	130 °C
2634660	PAV0NF	Natural	V0	750°C	960°C	65°C

For other materials and colors ask to: info@escubedo.com

Compatible terminals 6421.**, 6423.**, 6424.**, 6425.**, 6426.**, 6427.**, 6430.**, 6432.**, 6434.**, 6438.**, 6440.**

Insertion / Withdrawal forces

	2634610 / 40 / 60
1st Insertion (max, connector-terminal)	10N
1st Withdrawal (min, connector-terminal)	75N

Counterpart 26356**

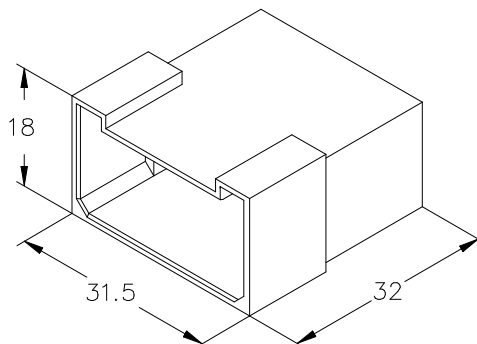
Approved regulations

Part nr.	Approval	Standard	File	Certified framework
2634610	UL	UL 1977	E245592	V2 / RTI Elec. Max. Operating Temp, 105°C
2634640	UL	UL 1977	E245592	V2 / RTI Elec., Max. Operating Temp, 130°C
2634660	UL	UL 1977	E245592	V0 / RTI Elec., Max Operating Temp, 65°C

Approvals



Drawing



Disclaimer

Data obtained from Escubedo Laboratory essays, using own methodology, cabling, equipment and original crimping tools, done in laboratory conditions and following the indicated standards, errors and omissions excepted. This document has no contractual meaning and it is publicised only for informative purposes. It can be changed without prior notice. The end customer has the sole responsibility to check these characteristics in its environment and with its own components, manufacturing methods and equipment. See also the full range product overview if available. For further information please visit our web site or contact us

Rev. Nr.	Concept	Date	Created/Revised	Approved
A2	Change company name and logo	2021-10-21	Laboratory Dept.	E. Roura
A1	Datasheet created automatically [A1]	2020-09-04	Laboratory Dept.	E. Roura