



**26343\*\***  
**6.3 (.250) TYPE SERIES · MALES FOR CONNECTOR**



**Specification** Male Connectors

**Ways** 3

**Thermal Characteristics**

Part nr.	Raw material	Color	Flammability Class (UL 94)	Glow Wire Test (GWT) (IEC60695-2-11)	Glow Wire Flammability Index (IEC60695-2-12)	RTI electrical (Max. Operating Temp.)
2634310	PA66V2	Natural	V2	(T.B.D.)	850°C	105°C

For other materials and colors ask to: info@escubedo.com

**Compatible terminals** 6421.\*\*, 6423.\*\*, 6424.\*\*, 6425.\*\*, 6426.\*\*, 6427.\*\*, 6430.\*\*, 6432.\*\*, 6434.\*\*, 6438.\*\*, 6440.\*\*

**Insertion / Withdrawal forces**

	2634310
1st Insertion (max, connector-receptacle)	8N
1st Withdrawal (min, connector-receptacle)	100N

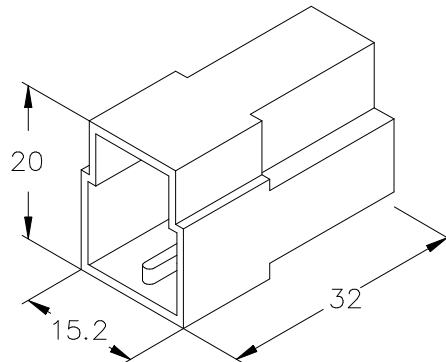
**Approved regulations**

Part nr.	Approval	Standard	File	Certified framework
2634310	UL	UL 1977	E245592	V2 / RTI Elec. Max. Operating Temp, 65°C

**Approvals**



**Drawing**



(T.B.D.): To be determined

**Disclaimer**

Data obtained from Escubedo Laboratory essays, using own methodology, cabling, equipment and original crimping tools, done in laboratory conditions and following the indicated standards, errors and omissions excepted. This document has no contractual meaning and it is publicised only for informative purposes. It can be changed without prior notice. The end customer has the sole responsibility to check these characteristics in its environment and with its own components, manufacturing methods and equipment. See also the full range product overview if available. For further information please visit our web site or contact us

Rev. Nr.	Concept	Date	Created/Revised	Approved
A1	Datasheet generated automatically [A1]	2020-03-20	E. Roura (Laboratory dept.)	M. Codina (Engineering dept.)