

26342** 6.3 (.250) TYPE SERIES · MALES FOR CONNECTOR



Specification Male Connectors

Ways 2

Thermal Characteristics

Part nr.	Raw material	Color	Flammability Class (UL 94)	Glow Wire Test (GWT) (IEC60695-2-11)	Glow Wire Flammability Index (IEC60695-2-12)	RTI electrical (Max. Operating Temp.)
2634210	PA66V2	Natural	V2	550°C	(T.B.D.)	105°C
2634230	PA66V0	Natural	V0	650°C	960°C	140°C
2634240	NO FLAME	Natural	V2	750°C	960°C	130°C
2634260	PAV0NF	Natural	V0	750°C	(T.B.D.)	120°C

For other materials and colors ask to: info@escubedo.com

Compatible terminals 6423.**, 6424.**, 6425.**, 6426.**, 6427.**, 6430.**, 6432.**, 6434.**, 6438.**, 6440.**

Insertion / Withdrawal forces

	2634210
1st Insertion (max, connector-receptacle)	12N
1st Withdrawal (min, connector-receptacle)	85N
1st Insertion (max, connector-counterpart)	80N
1st Withdrawal (min, connector-counterpart, without dimple)	40N
1st Withdrawal (min, connector-counterpart, with dimple)	80N

Counterpart 26352**

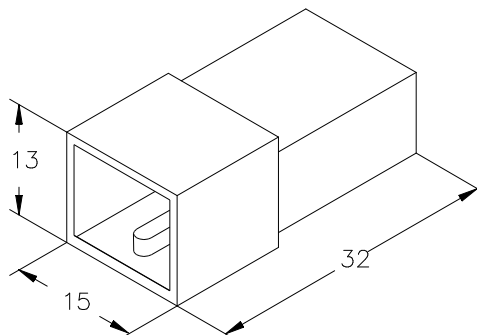
Approved regulations

Part nr.	Approval	Standard	File	Certified framework
2634210	UL	UL 1977	E245592	V2 / RTI Elec., Max. Operating Temp, 65°C
2634230	UL	UL 1977	E245592	V0 / RTI Elec., Max. Operating Temp, 140°C
2634240	UL	UL 1977	E245592	V2 / RTI Elec., Max. Operating Temp, 130°C
2634260	UL	UL 1977	E245592	V0 / RTI Elec., Max. Operating Temp, 120°C

Approvals



Drawing



26342****6.3 (.250) TYPE SERIES · MALES FOR CONNECTOR**

(T.B.D.): To be determined

Disclaimer

Data obtained from Escubedo Laboratory essays, using own methodology, cabling, equipment and original crimping tools, done in laboratory conditions and following the indicated standards, errors and omissions excepted. This document has no contractual meaning and it is publicised only for informative purposes. It can be changed without prior notice. The end customer has the sole responsibility to check these characteristics in its environment and with its own components, manufacturing methods and equipment. See also the full range product overview if available. For further information please visit our web site or contact us

Rev. Nr.	Concept	Date	Created/Revised	Approved
A2	Change company name and logo	2021-10-21	Laboratory Dept.	E. Roura
A1	Datasheet generated automatically [A1]	2019-03-13	Laboratory Dept.	E. Roura

Escubedo Connection Systems, S.A.U. · Ctra. de Girona-Olot Km. 35,5 · 17843 Riudellots de la Creu · Girona · Spain
Tel.: 34 972 171 706 · Fax: +34 972 171 714 · info@escubedo.com · www.escubedo.com