

26312** 6.3 (.250) TYPE SERIES · RECEPTACLES SELF-LOCKING RECEPTACLES



Specification Receptacle housings

Ways 1

Thermal Characteristics

Part nr.	Raw material	Color	Flammability Class (UL 94)	Glow Wire Test (GWT) (IEC60695-2-11)	Glow Wire Flammability Index (IEC60695-2-12)	RTI electrical (Max. Operating Temp.)
2631210	PA66V2	Natural	V2	(T.B.D.)	850°C	105°C
2631215	PA66V2	Black	V2	(T.B.D.)	850°C	105°C
2631230	PA66V0	Natural	V0	(T.B.D.)	960°C	140°C
2631235	PA66V0	Black	V0	(T.B.D.)	960°C	140°C
2631240	NO FLAME	Natural	V2	750°C	960°C	130°C
2631260	PAV0NF	Natural	V0	750°C	960°C	120°C
2631265	PAV0NF	Black	V0	(T.B.D.)	960°C	120°C

For other materials and colors ask to: info@escubedo.com

Compatible terminals 4720.**, 4720F**, 4722.**, 4724.**

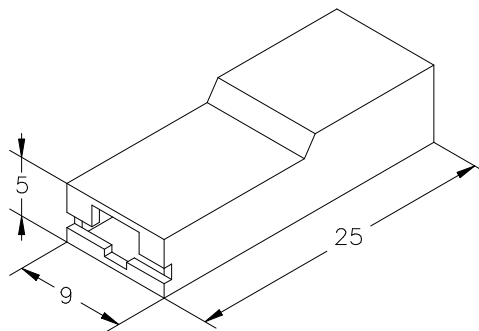
Approved regulations

Part nr.	Approval	Standard	File	Certified framework
2631210	UL	UL 310	E245592	V2 / RTI Elec., Max. Operating Temp, 65°C
2631215	UL	UL 310	E245592	V2 / RTI Elec., Max. Operating Temp, 65°C
2631230	UL	UL 310	E245592	V0 / RTI Elec., Max. Operating Temp, 140°C
2631235	UL	UL 310	E245592	V0 / RTI Elec., Max. Operating Temp, 140°C
2631240	UL	UL 310	E245592	V2 / RTI Elec., Max. Operating Temp, 130°C
2631260	UL	UL 310	E245592	V0 / RTI Elec., Max. Operating Temp, 120°

Approvals



Drawing



26312****6.3 (.250) TYPE SERIES · RECEPTACLES**
SELF-LOCKING RECEPTACLES

(T.B.D.): To be determined

Disclaimer

Data obtained from Escubedo Laboratory essays, using own methodology, cablings, equipment and original crimping tools, done in laboratory conditions and following the indicated standards, errors and omissions excepted. This document has no contractual meaning and it is publicised only for informative purposes. It can be changed without prior notice. The end customer has the sole responsibility to check these characteristics in its environment and with its own components, manufacturing methods and equipment. See also the full range product overview if available. For further information please visit our web site or contact us

Rev. Nr.	Concept	Date	Created/Revised	Approved
A3	Change company name and logo	2021-10-21	Automatically	D.Yabar (Engineering dept.)
A2	Gamma updated	2021-02-22	Automatically	D.Yabar (Engineering dept.)
A1	Datasheet generated automatically [A1]	2020-03-20	E. Roura (Laboratory dept.)	M. Codina (Engineering dept.)

Escubedo Connection Systems, S.A.U. · Ctra. de Girona-Olot Km. 35,5 · 17843 Riudellots de la Creu · Girona · Spain
Tel.: 34 972 171 706 · Fax: +34 972 171 714 · info@escubedo.com · www.escubedo.com