



26310**
6.3 (.250) TYPE SERIES · RECEPTACLES



Specification Receptacle housings

Ways 1

Thermal Characteristics

Part nr.	Raw material	Color	Flammability Class (UL 94)	Glow Wire Test (GWT) (IEC60695-2-11)	Glow Wire Flammability Index (IEC60695-2-12)	RTI electrical (Max. Operating Temp.)
2631010	PA66V2	Natural	V2	(T.B.D.)	850°C	105°C
2631015	PA66V2	Black	V2	(T.B.D.)	850°C	105°C
2631030	PA66V0	Natural	V0	(T.B.D.)	960°C	140°C
2631033	PA66V0	Red	V0	(T.B.D.)	960°C	140°C
2631035	PA66V0	Black	V0	(T.B.D.)	960°C	140°C
2631045	PA66NF	Black	V2	750°C	960°C	130°C
2631040	PANF	Natural	V2	750°C	960°C	130°C
2631050	Stanyl	Natural	V2	(T.B.D.)	850°C	150°C
2631055	Stanyl	Black	V2	(T.B.D.)	850°C	150°C
2631060	PAV0NF	Natural	V0	750°C	960°C	120°C

For other materials and colors ask to: info@escubedo.com

Compatible terminals 4420.**, 4420F**, 4422.**, 4424.**, 4425.**, 4520.**, 4521.**, 4540.**, 4541.**, 4542.**, 4544.**, 4548.**, 4622.**, 4646.**, 4648.**, 4820.**, 4822.**, 4824.**, 4840.**, 4842.**, 4844.**

Insertion / Withdrawal forces

	2631010 / 15 / 30 / 33 / 35 / 45 / 40 / 50 / 55 / 60
1st Insertion (max)	7N
1st Withdrawal (min, primary lock only)	70N

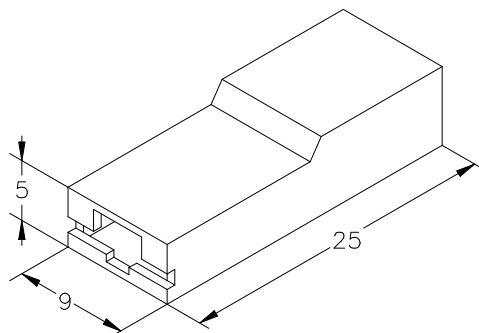
Approved regulations

Part nr.	Approval	Standard	File	Certified framework
2631010	UL	UL 310	E245592	V2 / RTI Elec., Max. Operating Temp, 65°C
2631015	UL	UL 310	E245592	V2 / RTI Elec., Max. Operating Temp, 65°C
2631030	UL	UL 310	E245592	V0 / RTI Elec., Max. Operating Temp, 140°C
2631035	UL	UL 310	E245592	V0 / RTI Elec., Max. Operating Temp, 140°C
2631045	UL	UL 310	E245592	V2 / RTI Elec., Max. Operating Temp, 130°C
2631040	UL	UL 310	E245592	V2 / RTI Elec., Max. Operating Temp, 130°C
2631060	UL	UL 310	E245592	V0 / RTI Elec., Max. Operating Temp, 120°C

Approvals



Drawing





26310**

6.3 (.250) TYPE SERIES · RECEPTACLES



(T.B.D.): To be determined

Disclaimer

Data obtained from Escubedo Laboratory essays, using own methodology, cablings, equipment and original crimping tools, done in laboratory conditions and following the indicated standards, errors and omissions excepted. This document has no contractual meaning and it is publicised only for informative purposes. It can be changed without prior notice. The end customer has the sole responsibility to check these characteristics in its environment and with its own components, manufacturing methods and equipment. See also the full range product overview if available. For further information please visit our web site or contact us

Rev. Nr.	Concept	Date	Created/Revised	Approved
A3	Update UL File 2631060 - E245592	2019-01-28	Laboratory Dept.	E. Roura
A2	Update approved reuglation - 2631060	2019-01-25	Laboratoy Dept.	E. Roura
A1	Datasheet generated automatically [A1]	2018-09-20	Laboratory Dept.	E. Roura