



**22814\*\***  
**2.8 (.110) TYPE SERIES · RECEPTACLES**



**Specification** Receptacle housings

**Ways** 1

**Thermal Characteristics**

Part nr.	Raw material	Color	Flammability Class (UL 94)	Glow Wire Test (GWT) (IEC60695-2-11)	Glow Wire Flammability Index (IEC60695-2-12)	RTI electrical (Max. Operating Temp.)
2281410	PA66V2	Natural	V2	(T.B.D.)	850°C	105°C
2281415	PA66V2	Black	V2	(T.B.D.)	850°C	105°C
2281435	PA66V0	Black	V0	(T.B.D.)	960°C	140°C
2281440	NO FLAME	Natural	V2	(T.B.D.)	960°C	130°C
2281445	NO FLAME	Black	V2	(T.B.D.)	960°C	130°C

For other materials and colors ask to: [info@escubedo.com](mailto:info@escubedo.com)

**Compatible terminals** 4809\*\*, 4809G\*\*, 4809K\*\*, 4811\*\*, 4811E\*\*, 4811G\*\*

**Insertion / Withdrawal forces**

	2281410
Terminal into connector cavity. Insertion force (max)	9N
Terminal from connector cavity - only primary lock. Withdrawal force (min)	20N

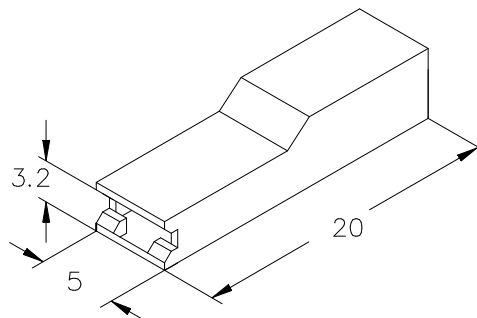
**Approved regulations**

Part nr.	Approval	Standard	File	Certified framework
2281410	UL	UL 310	E245592	V2 / RTI Elec., Max. Operating Temp, 65°C
2281415	UL	UL 310	E245592	V2 / RTI Elec., Max. Operating Temp, 65°C
2281435	UL	UL 310	E245592	V0 / RTI Elec., Max. Operating Temp, 140°C
2281440	UL	UL 310	E245592	V2 / RTI Elec., Max. Operating Temp, 130°C
2281445	UL	UL 310	E245592	V2 / RTI Elec., Max. Operating Temp, 130°C

**Approvals**



**Drawing**





**22814\*\***

**2.8 (.110) TYPE SERIES · RECEPTACLES**



(T.B.D.): To be determined

**Disclaimer**

Data obtained from Escubedo Laboratory essays, using own methodology, cablings, equipment and original crimping tools, done in laboratory conditions and following the indicated standards, errors and omissions excepted. This document has no contractual meaning and it is publiscised only for informative purposes. It can be changed without prior notice. The end customer has the sole responsibility to check these characteristics in its environment and with its own components, manufacturing methods and equipment. See also the full range product overview if available. For further information please visit our web site or contact us

Rev. Nr.	Concept	Date	Created/Revised	Approved
A2	Update [Compatible terminals]	2019-02-27	Laboratory Dept.	E. Roura
A1	Datasheet generated automatically [A1]	2018-11-20	Laboratory Dept.	E. Roura