



22165**
STANDARD UP-LOK · CONNECTORS



Specification UP-LOK Standard Connectors

Connector type Female connector

Ways 15 (3x5)

Thermal Characteristics

Part nr.	Raw material	Color	Flammability Class (UL 94)	Glow Wire Test (GWT) (IEC60695-2-11)	Glow Wire Flammability Index (IEC60695-2-12)	RTI electrical (Max. Operating Temp.)
2216510	PA66V2	Natural	V2	(T.B.D.)	850°C	105°C
2216530	PA66V0	Natural	V0	(T.B.D.)	960°C	140°C

For other materials and colors ask to: info@escubedo.com

Max. rated voltage 400V

Compatible terminals 7520.**, 7522.**, 7524.**, 7526.**, 8520.**, 8522.**

Insertion / Withdrawal forces

	2216510 / 30
1st Insertion (max, connector-receptacle)	18N ¹
1st Withdrawal (min, connector-receptacle)	70N ¹
1st Insertion (max, connector-counterpart)	190N ¹
1st Withdrawal (max, connector-counterpart, coupling assistance activated)	160N ¹
1st Withdrawal (min, connector-counterpart, coupling assistance deactivated)	300N ¹

¹ Valid for UP-LOK series

Counterpart 22175**

Approved regulations

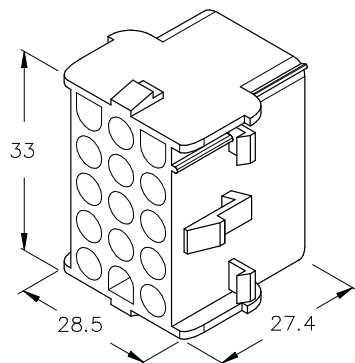
Part nr.	Approval	Standard	File	Certified framework
2216510 ¹	UL	UL 1977	E223221 / E222213	V2 / RTI Elec., Max. Operating Temp, 85°C
2216530 ¹	UL	UL 1977	E223221 / E222213	V0 / RTI Elec., Max. Operating Temp, 110°C

¹ Cat. No. meets with the standard UL1977 as a component of UP-LOK full connection system
Max. Rated Voltage 400V

Approvals



Drawing





22165**
STANDARD UP-LOK · CONNECTORS



(T.B.D.): To be determined

Disclaimer

Data obtained from Escubedo Laboratory essays, using own methodology, cablings, equipment and original crimping tools, done in laboratory conditions and following the indicated standards, errors and omissions excepted. This document has no contractual meaning and it is publicised only for informative purposes. It can be changed without prior notice. The end customer has the sole responsibility to check these characteristics in its environment and with its own components, manufacturing methods and equipment. See also the full range product overview if available. For further information please visit our web site or contact us

Rev. Nr.	Concept	Date	Created/Revised	Approved
A1	Datasheet generated automatically [A1]	2018-08-10	Laboratory Dept.	E. Roura

Especialitats Elèctriques Escubedo S.A.U. · Ctra. de Girona-Olot Km. 35,5 · 17843 Riudellots de la Creu · Girona · Spain
Tel.: 34 972 171 706 · Fax: +34 972 171 714 · info@escubedo.com · www.escubedo.com